

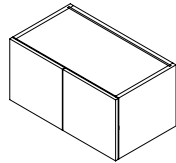
wall cabinets & hoods

8-02 wall cabinets and hoods
notes

NOTES

wall cabinets and hoods 8-03 standard

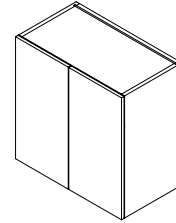
13" DEEP WALL CABINET
12" HIGH
NO SHELVES



24" WITH ONE DOOR AT NO CHARGE
24-42" CABINETS COME STANDARD
WITH BUTT DOORS
39-42" CABINETS HAVE CENTER STILE
BEHIND BUTT DOORS

CABINET
W1212
W1512
W1812
W2112
W2412-2
W2712
W3012
W3312
W3612
W3912
W4212

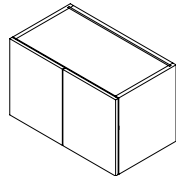
13" DEEP WALL CABINET
24" HIGH
ONE ADJUSTABLE
FULL DEPTH SHELF



24" WITH ONE DOOR AT NO CHARGE
24-42" CABINETS COME STANDARD
WITH BUTT DOORS
39-42" CABINETS HAVE CENTER STILE
BEHIND BUTT DOORS

CABINET
W1224
W1524
W1824
W2124
W2424
W2724
W3024
W3324
W3624
W3924
W4224

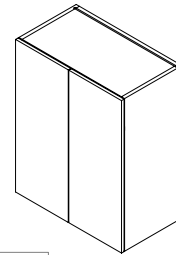
13" DEEP WALL CABINET
15" HIGH
NO SHELVES



24" WITH ONE DOOR AT NO CHARGE
24-42" CABINETS COME STANDARD
WITH BUTT DOORS
39-42" CABINETS HAVE CENTER STILE
BEHIND BUTT DOORS

CABINET
W1215
W1515
W1815
W2115
W2415-2
W2715
W3015
W3315
W3615
W3915
W4215

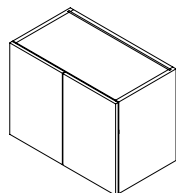
13" DEEP WALL CABINET
30" HIGH
TWO ADJUSTABLE
FULL DEPTH SHELVES



24" WITH ONE DOOR AT NO CHARGE
24-42" CABINETS COME STANDARD
WITH BUTT DOORS
39-42" CABINETS HAVE CENTER STILE
BEHIND BUTT DOORS

CABINET
W1230
W1530
W1830
W2130
W2430
W2730
W3030
W3330
W3630
W3930
W4230

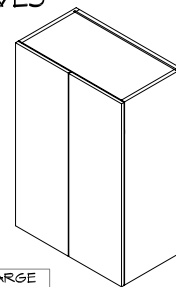
13" DEEP WALL CABINET
18" HIGH
NO ADJUSTABLE SHELVES



24" WITH ONE DOOR AT NO CHARGE
24-42" CABINETS COME STANDARD
WITH BUTT DOORS
39-42" CABINETS HAVE CENTER STILE
BEHIND BUTT DOORS

CABINET
W1218
W1518
W1818
W2118
W2418-2
W2718
W3018
W3318
W3618
W3918
W4218

13" DEEP WALL CABINET
36" HIGH
TWO ADJUSTABLE
FULL DEPTH SHELVES

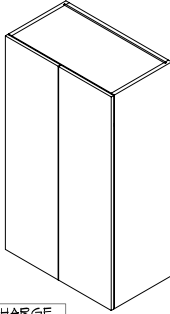


24" WITH ONE DOOR AT NO CHARGE
24-42" CABINETS COME STANDARD
WITH BUTT DOORS
39-42" CABINETS HAVE CENTER STILE
BEHIND BUTT DOORS

CABINET
W1236
W1536
W1836
W2136
W2436
W2736
W3036
W3336
W3636
W3936
W4236

8-04 wall cabinets and hoods standard

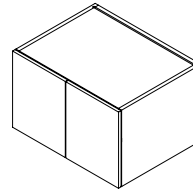
13" DEEP WALL CABINET
42" HIGH
THREE ADJUSTABLE
FULL DEPTH SHELVES



24" WITH ONE DOOR AT NO CHARGE
24-42" CABINETS COME STANDARD
WITH BUTT DOORS
39-42" CABINETS HAVE CENTER STILE
BEHIND BUTT DOORS

CABINET
W1242
W1542
W1842
W2142
W2442-2
W2742
W3042
W3342
W3642
W3942
W4242

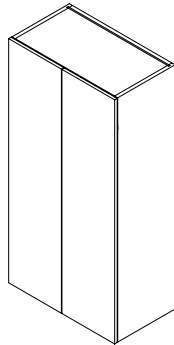
18" DEEP WALL CABINET
15" HIGH
NO SHELVES



24" WITH ONE DOOR AT NO CHARGE
24-42" CABINETS COME STANDARD
WITH BUTT DOORS
39-42" CABINETS HAVE CENTER STILE
BEHIND BUTT DOORS

CABINET
W1215-18
W1515-18
W1815-18
W2115-18
W2415-18
W2715-18
W3015-18
W3315-18
W3615-18
W3915-18
W4215-18

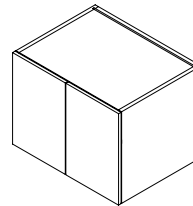
13" DEEP WALL CABINET
48" HIGH
THREE ADJUSTABLE
FULL DEPTH SHELVES



24" WITH ONE DOOR AT NO CHARGE
24-42" CABINETS COME STANDARD
WITH BUTT DOORS
39-42" CABINETS HAVE CENTER STILE
BEHIND BUTT DOORS

CABINET
W1248
W1548
W1848
W2148
W2448
W2748
W3048
W3348
W3648
W3948
W4248

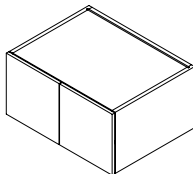
18" DEEP WALL CABINET
18" HIGH
NO SHELVES



24" WITH ONE DOOR AT NO CHARGE
24-42" CABINETS COME STANDARD
WITH BUTT DOORS
39-42" CABINETS HAVE CENTER STILE
BEHIND BUTT DOORS

CABINET
W1218-18
W1518-18
W1818-18
W2118-18
W2418-18
W2718-18
W3018-18
W3318-18
W3618-18
W3918-18
W4218-18

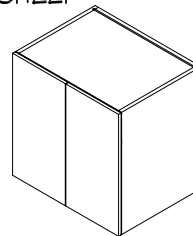
18" DEEP WALL CABINET
12" HIGH
NO ADJUSTABLE SHELVES



24" WITH ONE DOOR AT NO CHARGE
24-42" CABINETS COME STANDARD
WITH BUTT DOORS
39-42" CABINETS HAVE CENTER STILE
BEHIND BUTT DOORS

CABINET
W1212-18
W1512-18
W1812-18
W2112-18
W2412-18
W2712-18
W3012-18
W3312-18
W3612-18
W3912-18
W4212-18

18" DEEP WALL CABINET
24" HIGH
ONE ADJUSTABLE
FULL DEPTH SHELF

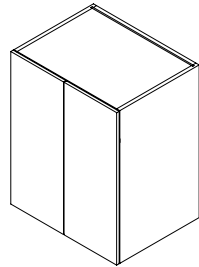


24" WITH ONE DOOR AT NO CHARGE
24-42" CABINETS COME STANDARD
WITH BUTT DOORS
39-42" CABINETS HAVE CENTER STILE
BEHIND BUTT DOORS

CABINET
W1224-18
W1524-18
W1824-18
W2124-18
W2424-18
W2724-18
W3024-18
W3324-18
W3624-18
W3924-18
W4224-18

wall cabinets and hoods 8-05 standard, refrigeration

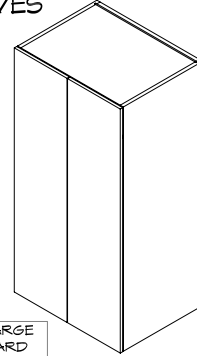
18" DEEP WALL CABINET
30" HIGH
TWO ADJUSTABLE
FULL DEPTH SHELVES



24" WITH ONE DOOR AT NO CHARGE
24-42" CABINETS COME STANDARD
WITH BUTT DOORS
39-42" CABINETS HAVE CENTER STILE
BEHIND BUTT DOORS

CABINET
W1230-18
W1530-18
W1830-18
W2130-18
W2430-18
W2730-18
W3030-18
W3330-18
W3630-18
W3930-18
W4230-18

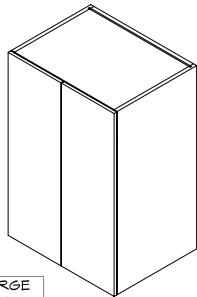
18" DEEP WALL CABINET
48" HIGH
THREE ADJUSTABLE
FULL DEPTH SHELVES



24" WITH ONE DOOR AT NO CHARGE
24-42" CABINETS COME STANDARD
WITH BUTT DOORS
39-42" CABINETS HAVE CENTER STILE
BEHIND BUTT DOORS

CABINET
W12748-18
W1548-18
W1848-18
W2148-18
W2448-18
W2748-18
W3048-18
W3348-18
W3648-18
W3948-18
W4248-18

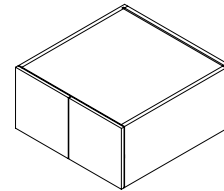
18" DEEP WALL CABINET
36" HIGH
TWO ADJUSTABLE
FULL DEPTH SHELVES



24" WITH ONE DOOR AT NO CHARGE
24-42" CABINETS COME STANDARD
WITH BUTT DOORS
39-42" CABINETS HAVE CENTER STILE
BEHIND BUTT DOORS

CABINET
W1236-18
W1536-18
W1836-18
W2136-18
W2436-18
W2736-18
W3036-18
W3336-18
W3636-18
W3936-18
W4236-18

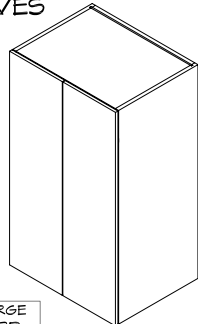
24" DEEP WALL CABINET
12" HIGH
NO SHELVES



24" WITH ONE DOOR AT NO CHARGE
24-42" CABINETS COME STANDARD
WITH BUTT DOORS
39-42" CABINETS HAVE CENTER STILE
BEHIND BUTT DOORS

CABINET
RW3012
RW3312
RW3612
RW3912
RW4212
RW4812

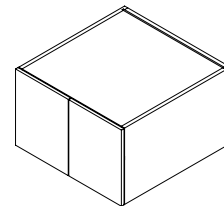
18" DEEP WALL CABINET
42" HIGH
THREE ADJUSTABLE
FULL DEPTH SHELVES



24" WITH ONE DOOR AT NO CHARGE
24-42" CABINETS COME STANDARD
WITH BUTT DOORS
39-42" CABINETS HAVE CENTER STILE
BEHIND BUTT DOORS

CABINET
W1242-18
W1542-18
W1842-18
W2142-18
W2442-18
W2742-18
W3042-18
W3342-18
W3642-18
W3942-18
W4242-18

24" DEEP WALL CABINET
15" HIGH
NO SHELVES

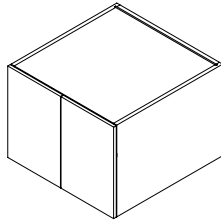


24" WITH ONE DOOR AT NO CHARGE
24-42" CABINETS COME STANDARD
WITH BUTT DOORS
39-42" CABINETS HAVE CENTER STILE
BEHIND BUTT DOORS

CABINET
RW3015
RW3315
RW3615
RW3915
RW4215
RW4815

8-06 wall cabinets and hoods refrigeration

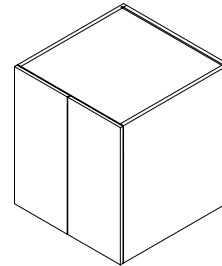
24" DEEP WALL CABINET
18" HIGH
NO SHELVES



24" WITH ONE DOOR AT NO CHARGE
24-42" CABINETS COME STANDARD
WITH BUTT DOORS
39-42" CABINETS HAVE CENTER STILE
BEHIND BUTT DOORS

CABINET
RW3018
RW3318
RW3618
RW3918
RW4218
RW4818

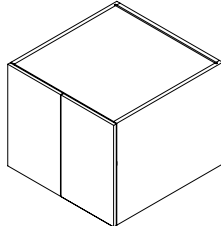
24" DEEP WALL CABINET
27" HIGH
ONE ADJUSTABLE
FULL DEPTH SHELF



24" WITH ONE DOOR AT NO CHARGE
24-42" CABINETS COME STANDARD
WITH BUTT DOORS
39-42" CABINETS HAVE CENTER STILE
BEHIND BUTT DOORS

CABINET
RW3027
RW3327
RW3627
RW3927
RW4227
RW4827

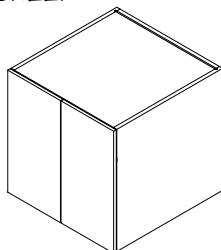
24" DEEP WALL CABINET
21" HIGH
ONE ADJUSTABLE
FULL DEPTH SHELF



24" WITH ONE DOOR AT NO CHARGE
24-42" CABINETS COME STANDARD
WITH BUTT DOORS
39-42" CABINETS HAVE CENTER STILE
BEHIND BUTT DOORS

CABINET
RW3021
RW3321
RW3621
RW3921
RW4221
RW4821

24" DEEP WALL CABINET
24" HIGH
ONE ADJUSTABLE
FULL DEPTH SHELF



24" WITH ONE DOOR AT NO CHARGE
24-42" CABINETS COME STANDARD
WITH BUTT DOORS
39-42" CABINETS HAVE CENTER STILE
BEHIND BUTT DOORS

CABINET
RW3024
RW3324
RW3624
RW3924
RW4224
RW4824

wall cabinets and hoods 8-07

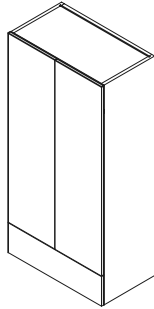
cabinets with drawers

13" DEEP WALL CABINET
ONE DRAWER
THREE ADJUSTABLE
FULL DEPTH SHELVES

SPECIFY ACTUAL
HEIGHT NEEDED

SPECIFIED AT 49" TO
ALLOW FOR HEIGHT
ADJUSTMENT DUE TO
DIFFERENT COUNTER
TOP FINISHES AT NO
ADDITIONAL CHARGE

24" WITH ONE DOOR AT NO CHARGE
24-42" CABINETS COME STANDARD
WITH BUTT DOORS



CABINET

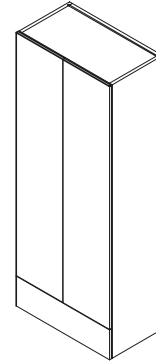
W1249-D1
W1549-D1
W1849-D1
W2149-D1
W2449-D1
W2749-D1
W3049-D1
W3349-D1
W3649-D1

13" DEEP WALL CABINET
ONE DRAWER
THREE ADJUSTABLE
FULL DEPTH SHELVES

SPECIFY ACTUAL
HEIGHT NEEDED

SPECIFIED AT 61" TO
ALLOW FOR HEIGHT
ADJUSTMENT DUE TO
DIFFERENT COUNTER
TOP FINISHES AT NO
ADDITIONAL CHARGE

24" WITH ONE DOOR AT NO CHARGE
24-42" CABINETS COME STANDARD
WITH BUTT DOORS



CABINET

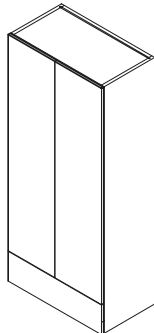
W1261-D1
W1561-D1
W1861-D1
W2161-D1
W2461-D1
W2761-D1
W3061-D1
W3361-D1
W3661-D1

13" DEEP WALL CABINET
ONE DRAWER
THREE ADJUSTABLE
FULL DEPTH SHELVES

SPECIFY ACTUAL
HEIGHT NEEDED

SPECIFIED AT 55" TO
ALLOW FOR HEIGHT
ADJUSTMENT DUE TO
DIFFERENT COUNTER
TOP FINISHES AT NO
ADDITIONAL CHARGE

24" WITH ONE DOOR AT NO CHARGE
24-36" CABINETS COME STANDARD
WITH BUTT DOORS



CABINET

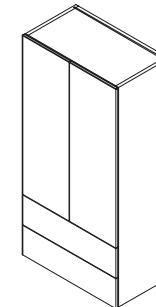
W1255-D1
W1555-D1
W1855-D1
W2155-D1
W2455-D1
W2755-D1
W3055-D1
W3355-D1
W3655-D1

13" DEEP WALL CABINET
TWO DRAWERS
TWO ADJUSTABLE SHELVES

SPECIFY ACTUAL
HEIGHT NEEDED

SPECIFIED AT 49" TO
ALLOW FOR HEIGHT
ADJUSTMENT DUE TO
DIFFERENT COUNTER
TOP FINISHES AT NO
ADDITIONAL CHARGE

24" WITH ONE DOOR AT NO CHARGE
24-36" CABINETS COME STANDARD
WITH BUTT DOORS



CABINET

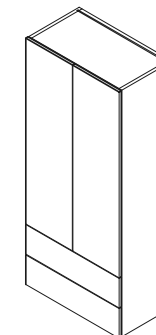
W1249-D2
W1549-D2
W1849-D2
W2149-D2
W2449-D2
W2749-D2
W3049-D2
W3349-D2
W3649-D2

13" DEEP WALL CABINET
TWO DRAWERS
TWO ADJUSTABLE SHELVES

SPECIFY ACTUAL
HEIGHT NEEDED

SPECIFIED AT 55" TO
ALLOW FOR HEIGHT
ADJUSTMENT DUE TO
DIFFERENT COUNTER
TOP FINISHES AT NO
ADDITIONAL CHARGE

24" WITH ONE DOOR AT NO CHARGE
24-36" CABINETS COME STANDARD
WITH BUTT DOORS



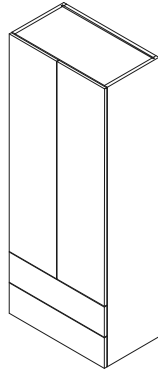
CABINET

W1255-D2
W1555-D2
W1855-D2
W2155-D2
W2455-D2
W2755-D2
W3055-D2
W3355-D2
W3655-D2

8-08 wall cabinets and hoods cabinets with drawers, Euro lift

13" DEEP WALL CABINET
TWO DRAWERS
THREE ADJUSTABLE SHELVES

SPECIFY ACTUAL
HEIGHT NEEDED



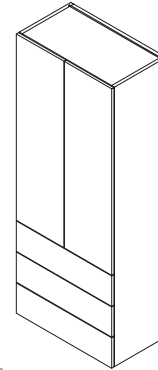
SPECIFIED AT 61" TO
ALLOW FOR HEIGHT
ADJUSTMENT DUE TO
DIFFERENT COUNTER
TOP FINISHES AT NO
ADDITIONAL CHARGE

24" WITH ONE DOOR AT NO CHARGE
24-42" CABINETS COME STANDARD
WITH BUTT DOORS

CABINET
W1261-D2
W1561-D2
W1861-D2
W2161-D2
W2461-D2
W2761-D2
W3061-D2
W3361-D2
W3661-D2

13" DEEP WALL CABINET
THREE DRAWERS
THREE ADJUSTABLE
FULL DEPTH SHELVES

SPECIFY ACTUAL
HEIGHT NEEDED



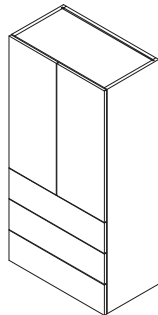
SPECIFIED AT 61" TO
ALLOW FOR HEIGHT
ADJUSTMENT DUE TO
DIFFERENT COUNTER
TOP FINISHES AT NO
ADDITIONAL CHARGE

24" WITH ONE DOOR AT NO CHARGE
24-42" CABINETS COME STANDARD
WITH BUTT DOORS

CABINET
W1261-D3
W1561-D3
W1861-D3
W2161-D3
W2461-D3
W2761-D3
W3061-D3
W3361-D3
W3661-D3

13" DEEP WALL CABINET
THREE DRAWERS
TWO ADJUSTABLE
FULL DEPTH SHELVES

SPECIFY ACTUAL
HEIGHT NEEDED



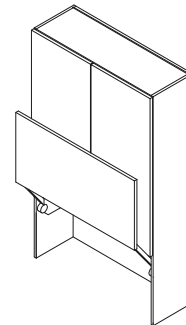
SPECIFIED AT 49" TO
ALLOW FOR HEIGHT
ADJUSTMENT DUE TO
DIFFERENT COUNTER
TOP FINISHES AT NO
ADDITIONAL CHARGE

24" WITH ONE DOOR AT NO CHARGE
24-42" CABINETS COME STANDARD
WITH BUTT DOORS

CABINET
W1249-D3
W1549-D3
W1849-D3
W2149-D3
W2449-D3
W2749-D3
W3049-D3
W3349-D3
W3649-D3

13" DEEP WALL CABINET
EURO LIFT GARAGE, NO FLOOR
TWO ADJUSTABLE SHELVES
BLUM AVENTOS HL LIFT

SPECIFY ACTUAL
HEIGHT NEEDED
AVAILABLE ON
STRAIGHT WALL
CABINETS 18-36"
WIDE



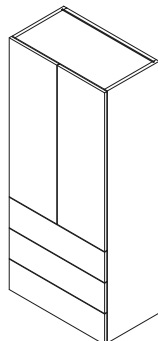
SPECIFIED AT 49" TO
ALLOW FOR HEIGHT
ADJUSTMENT DUE TO
DIFFERENT COUNTER
TOP FINISHES AT NO
ADDITIONAL CHARGE



CABINET
WSEL1849
WSEL2149
WSEL2449
WSEL2749
WSEL3049
WSEL3349
WSEL3649

13" DEEP WALL CABINET
THREE DRAWERS
TWO ADJUSTABLE
FULL DEPTH SHELVES

SPECIFY ACTUAL
HEIGHT NEEDED



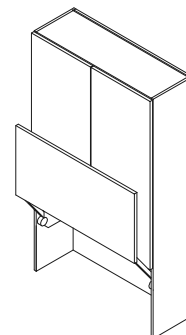
SPECIFIED AT 55" TO
ALLOW FOR HEIGHT
ADJUSTMENT DUE TO
DIFFERENT COUNTER
TOP FINISHES AT NO
ADDITIONAL CHARGE

24" WITH ONE DOOR AT NO CHARGE
24-42" CABINETS COME STANDARD
WITH BUTT DOORS

CABINET
W1255-D3
W1555-D3
W1855-D3
W2155-D3
W2455-D3
W2755-D3
W3055-D3
W3355-D3
W3655-D3

13" DEEP WALL CABINET
EURO LIFT GARAGE, NO FLOOR
TWO ADJUSTABLE SHELVES
BLUM AVENTOS HL LIFT

SPECIFY ACTUAL
HEIGHT NEEDED
AVAILABLE ON
STRAIGHT WALL
CABINETS 18-36"
WIDE



SPECIFIED AT 55" TO
ALLOW FOR HEIGHT
ADJUSTMENT DUE TO
DIFFERENT COUNTER
TOP FINISHES AT NO
ADDITIONAL CHARGE



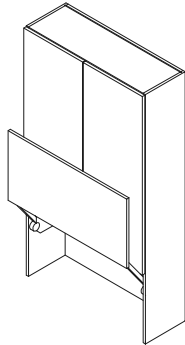
CABINET
WSEL1855
WSEL2155
WSEL2455
WSEL2755
WSEL3055
WSEL3355
WSEL3655

wall cabinets and hoods 8-09

Euro lift, straight door garage, diagonal, corner

13" DEEP WALL CABINET
EURO LIFT GARAGE, NO FLOOR
THREE ADJUSTABLE SHELVES
BLUM AVENTOS HL LIFT

SPECIFY ACTUAL HEIGHT NEEDED AVAILABLE ON STRAIGHT WALL CABINETS 18-36" WIDE



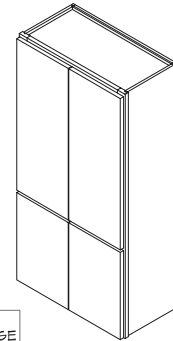
SPECIFIED AT 61" TO ALLOW FOR HEIGHT ADJUSTMENT DUE TO DIFFERENT COUNTER TOP FINISHES AT NO ADDITIONAL CHARGE



CABINET
WSEL1861
WSEL2161
WSEL2461
WSEL2761
WSEL3061
WSEL3361
WSEL3661

13" DEEP WALL CABINET
STRAIGHT DOOR GARAGE
THREE ADJUSTABLE SHELVES
NO FLOOR

SPECIFIED AT 61" TO ALLOW FOR HEIGHT ADJUSTMENT DUE TO DIFFERENT COUNTER TOP FINISHES AT NO ADDITIONAL CHARGE

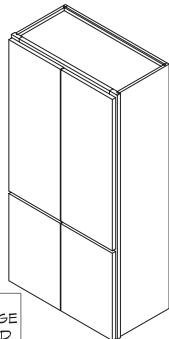


SPECIFY ACTUAL HEIGHT NEEDED 24" WITH ONE DOOR AT NO CHARGE 24-42" CABINETS COME STANDARD WITH BUTT DOORS

CABINET
WSDG1561
WSDG1861
WSDG2161
WSDG2461
WSDG2761
WSDG3061
WSDG3361
WSDG3661
WSDG4261

13" DEEP WALL CABINET
STRAIGHT DOOR GARAGE
TWO ADJUSTABLE SHELVES
NO FLOOR

SPECIFIED AT 49" TO ALLOW FOR HEIGHT ADJUSTMENT DUE TO DIFFERENT COUNTER TOP FINISHES AT NO ADDITIONAL CHARGE



SPECIFY ACTUAL HEIGHT NEEDED 24" WITH ONE DOOR AT NO CHARGE 24-42" CABINETS COME STANDARD WITH BUTT DOORS NO CENTER STILE 39-42" CABINETS

CABINET
WSDG1549
WSDG1849
WSDG2149
WSDG2449
WSDG2749
WSDG3049
WSDG3349
WSDG3649
WSDG4249

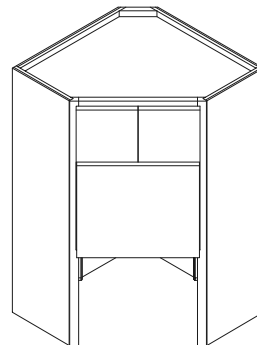
DIAGONAL WALL CABINET
EURO LIFT GARAGE, NO FLOOR
BLUM AVENTOS HL-LIFT



ON-U DEPTH: 13 7/8" AMENITY DEPTH: 13"

FINISHED ENDS STANDARD IN ON-U ONLY

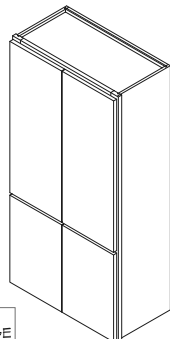
SPECIFY ACTUAL HEIGHT NEEDED AVAILABLE ON DIAGONAL CORNER CABINETS 21" TO 36" WIDE



CABINET
WDEL2749
WDEL3049
WDEL3349
WDEL3649
WDEL2755
WDEL3055
WDEL3355
WDEL3655
WDEL2761
WDEL3061
WDEL3361
WDEL3661

13" DEEP WALL CABINET
STRAIGHT DOOR GARAGE
TWO ADJUSTABLE SHELVES
NO FLOOR

SPECIFIED AT 55" TO ALLOW FOR HEIGHT ADJUSTMENT DUE TO DIFFERENT COUNTER TOP FINISHES AT NO ADDITIONAL CHARGE



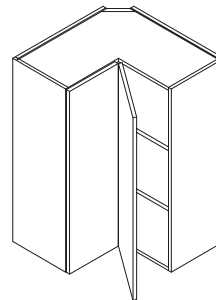
SPECIFY ACTUAL HEIGHT NEEDED 24" WITH ONE DOOR AT NO CHARGE 24-42" CABINETS COME STANDARD WITH BUTT DOORS

CABINET
WSDG1555
WSDG1855
WSDG2155
WSDG2455
WSDG2755
WSDG3055
WSDG3355
WSDG3655
WSDG4255

13" DEEP WALL CABINET
TWO ADJUSTABLE SHELVES
30" - 36"
THREE ADJUSTABLE SHELVES
42"

SPECIFY HINGE LEFT OR RIGHT

ON-U DEPTH: 13 7/8" AMENITY DEPTH: 13"



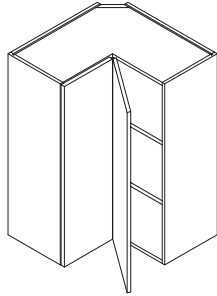
CABINET
WSC2430
WSC2436
WSC2442

8-10 wall cabinets and hoods corner

13" DEEP WALL CABINET
TWO ADJUSTABLE SHELVES
30" - 36"
THREE ADJUSTABLE SHELVES
42"

SPECIFY HINGE
LEFT OR RIGHT

ON-U DEPTH: 13 7/8"
AMENITY DEPTH: 13"

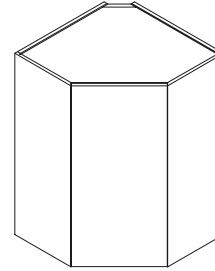


CABINET
WSC2730
WSC2736
WSC2742

13 7/8" DEEP DIAGONAL
WALL CABINET
TWO ADJUSTABLE SHELVES
30" - 36"
THREE ADJUSTABLE SHELVES
42"

FINISHED ENDS
STANDARD IN ON-U
ONLY

ON-U DEPTH: 13 7/8"
AMENITY DEPTH: 13"

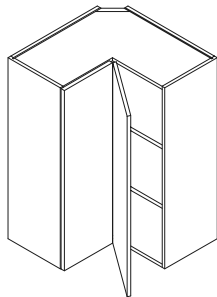


CABINET
WDC2730
WDC2736
WDC2742

13" DEEP WALL CABINET
TWO ADJUSTABLE SHELVES
30" - 36"
THREE ADJUSTABLE SHELVES
42"

SPECIFY HINGE
LEFT OR RIGHT

ON-U DEPTH: 13 7/8"
AMENITY DEPTH: 13"

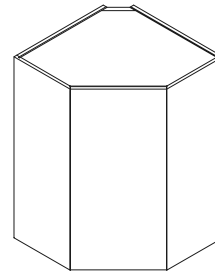


CABINET
WSC3030
WSC3036
WSC3042

16 7/8" DEEP DIAGONAL
WALL CABINET
TWO ADJUSTABLE SHELVES
30" - 36"
THREE ADJUSTABLE SHELVES
42"

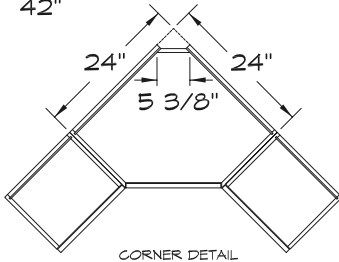
FINISHED ENDS
STANDARD IN ON-U
ONLY

ON-U DEPTH: 16 7/8"
AMENITY DEPTH: 16"



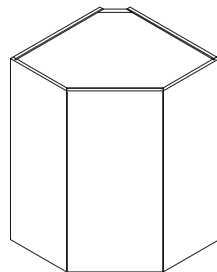
CABINET
WDC2730-16
WDC2736-16
WDC2742-16

13 7/8" DEEP DIAGONAL
WALL CABINET
TWO ADJUSTABLE SHELVES
30" - 36"
THREE ADJUSTABLE SHELVES
42"



FINISHED ENDS
STANDARD IN ON-U
ONLY

ON-U DEPTH: 13 7/8"
AMENITY DEPTH: 13"

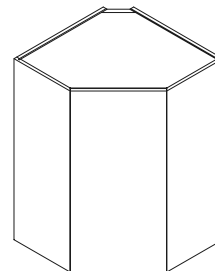


CABINET
WDC2430
WDC2436
WDC2442

13 7/8" DEEP DIAGONAL
WALL CABINET
TWO ADJUSTABLE SHELVES
30" - 36"
THREE ADJUSTABLE SHELVES
42"

FINISHED ENDS
STANDARD IN ON-U
ONLY

ON-U DEPTH: 13 7/8"
AMENITY DEPTH: 13"



CABINET
WDC3030
WDC3036
WDC3042

wall cabinets and hoods 8-11

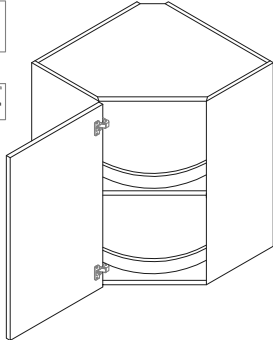
diagonal, lazy susan

13 7/8" DEEP DIAGONAL
WALL CABINET
TWO LAZY SUSAN TURNTABLES
ONE ADJUSTABLE SHELF IN 42"

CABINET
WDLS2430
WDLS2436
WDLS2442

FINISHED ENDS
STANDARD IN ON:J
ONLY

ON:J DEPTH: 13 7/8"
AMENITY DEPTH: 13"



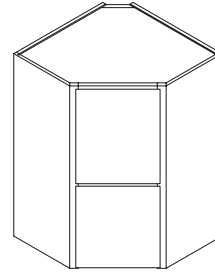
20" TURNTABLE

13 7/8" DEEP DIAGONAL
WALL CABINET
TWO LAZY SUSAN TURNTABLES
ONE ADJUSTABLE SHELF IN 42"
NO FLOOR

CABINET
WDDGLS2449
WDDGLS2455
WDDGLS2461

FINISHED ENDS
STANDARD IN ON:J
ONLY

ON:J DEPTH: 13 7/8"
AMENITY DEPTH: 13"



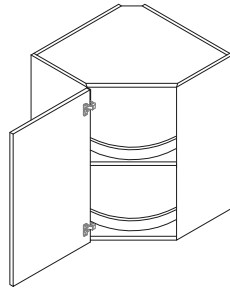
20" TURNTABLE

13 7/8" DEEP DIAGONAL
WALL CABINET
TWO LAZY SUSAN TURNTABLES
ONE ADJUSTABLE SHELF IN 42"

CABINET
WDLS2730
WDLS2736
WDLS2742

FINISHED ENDS
STANDARD IN ON:J
ONLY

ON:J DEPTH: 13 7/8"
AMENITY DEPTH: 13"



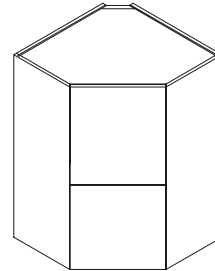
20" TURNTABLE

13 7/8" DEEP DIAGONAL
WALL CABINET
DOOR AT BOTTOM, NO FLOOR
TWO ADJUSTABLE SHELVES
49" - 55"
THREE ADJUSTABLE SHELVES
61"

CABINET
WDDG2749
WDDG2755
WDDG2761

FINISHED ENDS
STANDARD IN ON:J
ONLY

ON:J DEPTH: 13 7/8"
AMENITY DEPTH: 13"



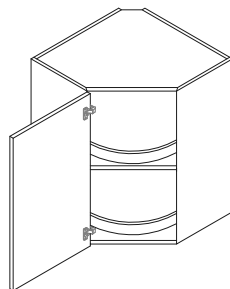
SPECIFY ACTUAL
HEIGHT NEEDED

16 7/8" DEEP DIAGONAL
WALL CABINET
TWO LAZY SUSAN TURNTABLES
ONE ADJUSTABLE SHELF IN 42"

CABINET
WDLS2730-16
WDLS2736-16
WDLS2742-16

FINISHED ENDS
STANDARD IN ON:J
ONLY

ON:J DEPTH: 16 7/8"
AMENITY DEPTH: 16"



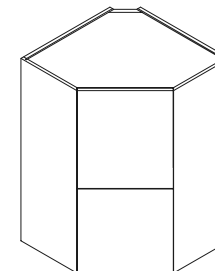
20" TURNTABLE

13 7/8" DEEP DIAGONAL
WALL CABINET
DOOR AT BOTTOM, NO FLOOR
TWO ADJUSTABLE SHELVES
49" - 55"
THREE ADJUSTABLE SHELVES
61"

CABINET
WDDG3049
WDDG3055
WDDG3061

FINISHED ENDS
STANDARD IN ON:J
ONLY

ON:J DEPTH: 13 7/8"
AMENITY DEPTH: 13"



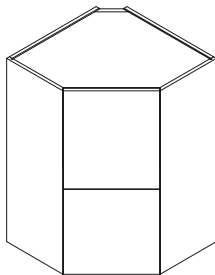
SPECIFY ACTUAL
HEIGHT NEEDED

8-12 wall cabinets and hoods diagonal, blind corner, microwave

13 7/8" DEEP DIAGONAL
WALL CABINET
DOOR AT BOTTOM, NO FLOOR
TWO ADJUSTABLE SHELVES
49" - 55"
THREE ADJUSTABLE SHELVES
61"

FINISHED ENDS
STANDARD IN ON:J
ONLY

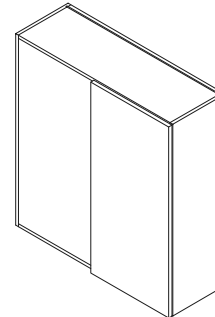
ON:J DEPTH: 13 7/8"
AMENITY DEPTH: 13"



CABINET
WDDG2449
WDDG2455
WDDG2461

SPECIFY ACTUAL
HEIGHT NEEDED

13" DEEP WALL CABINET
36" HIGH
TWO ADJUSTABLE SHELVES
SPECIFY BLIND LEFT OR RIGHT

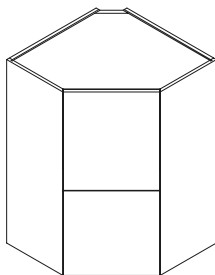


CABINET
WBC2436
WBC2736
WBC3036
WBC3336
WBC3636
WBC3936
WBC4236
WBC4836

16 7/8" DEEP DIAGONAL
WALL CABINET
DOOR AT BOTTOM, NO FLOOR
TWO ADJUSTABLE SHELVES
49" - 55"
THREE ADJUSTABLE SHELVES
61"

FINISHED ENDS
STANDARD IN ON:J
ONLY

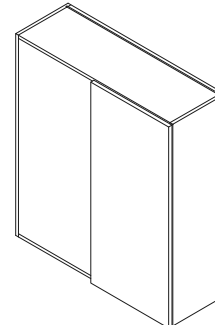
ON:J DEPTH: 16 7/8"
AMENITY DEPTH: 16"



CABINET
WDDG2749-16
WDDG2755-16
WDDG2761-16

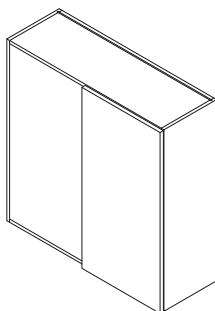
SPECIFY ACTUAL
HEIGHT NEEDED

13" DEEP WALL CABINET
42" HIGH
THREE ADJUSTABLE SHELVES
SPECIFY BLIND LEFT OR RIGHT



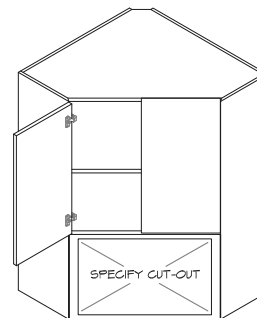
CABINET
WBC2442
WBC2742
WBC3042
WBC3342
WBC3642
WBC3942
WBC4242
WBC4842

13" DEEP WALL CABINET
30" HIGH
TWO ADJUSTABLE SHELVES
SPECIFY BLIND LEFT OR RIGHT



CABINET
WBC2430
WBC2730
WBC3030
WBC3330
WBC3630
WBC3930
WBC4230
WBC4830

13 7/8" DEEP DIAGONAL
WALL CABINET
ONE ADJUSTABLE SHELF



CABINET
WDM2730
WDM3030
WDM3330
WDM3630

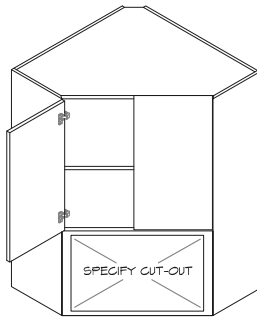
FINISHED ENDS
STANDARD IN ON:J
ONLY

ON:J DEPTH: 13 7/8"
AMENITY DEPTH: 13"

SPECIFY IF USING AN
OVERLAY PANEL TO
INSTALL APPLIANCE

wall cabinets and hoods 8-13 microwave

13 7/8" DEEP DIAGONAL
WALL CABINET
ONE ADJUSTABLE SHELF



CABINET

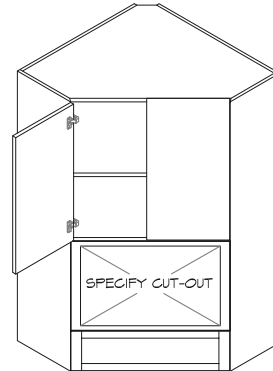
WDM2736
WDM3036
WDM3336
WDM3636

FINISHED ENDS
STANDARD IN ON:J
ONLY

ON:J DEPTH: 13 7/8"
AMENITY DEPTH: 13"

SPECIFY IF USING AN
OVERLAY PANEL TO
INSTALL APPLIANCE

13 7/8" DEEP DIAGONAL
WALL CABINET
ONE ADJUSTABLE SHELF



FINISHED ENDS
STANDARD IN ON:J
ONLY

ON:J DEPTH: 13 7/8"
AMENITY DEPTH: 13"

CABINET

NDMD3055
NDMD3355
NDMD3655

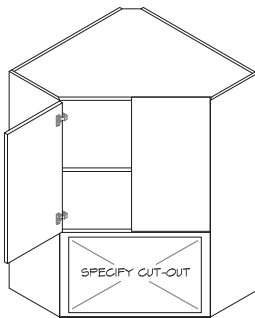
SPECIFY IF USING AN
OVERLAY PANEL TO
INSTALL APPLIANCE

SPECIFIED AT 55" TO
ALLOW FOR HEIGHT
ADJUSTMENT DUE TO
DIFFERENT COUNTER
TOP FINISHES AT NO
ADDITIONAL CHARGE

SPECIFY ACTUAL
HEIGHT NEEDED

IRV 1/8-IN AT BOTTOM IS STANDARD

13 7/8" DEEP DIAGONAL
WALL CABINET
ONE ADJUSTABLE SHELF



CABINET

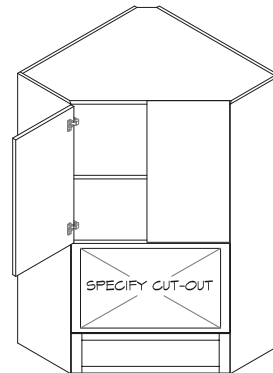
WDM2742
WDM3042
WDM3342
WDM3642

FINISHED ENDS
STANDARD IN ON:J
ONLY

ON:J DEPTH: 13 7/8"
AMENITY DEPTH: 13"

SPECIFY IF USING AN
OVERLAY PANEL TO
INSTALL APPLIANCE

13 7/8" DEEP DIAGONAL
WALL CABINET
ONE ADJUSTABLE SHELF



FINISHED ENDS
STANDARD IN ON:J
ONLY

ON:J DEPTH: 13 7/8"
AMENITY DEPTH: 13"

CABINET

NDMD3061
NDMD3361
NDMD3661

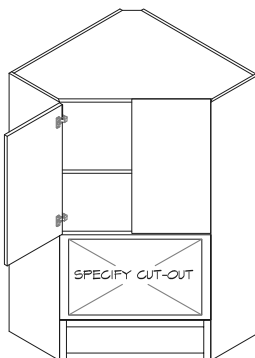
SPECIFY IF USING AN
OVERLAY PANEL TO
INSTALL APPLIANCE

SPECIFIED AT 61" TO
ALLOW FOR HEIGHT
ADJUSTMENT DUE TO
DIFFERENT COUNTER
TOP FINISHES AT NO
ADDITIONAL CHARGE

SPECIFY ACTUAL
HEIGHT NEEDED

IRV 1/8-IN AT BOTTOM IS STANDARD

13 7/8" DEEP DIAGONAL
WALL CABINET
ONE ADJUSTABLE SHELF



FINISHED ENDS
STANDARD IN ON:J
ONLY

ON:J DEPTH: 13 7/8"
AMENITY DEPTH: 13"

CABINET

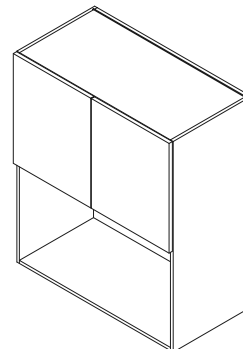
NDMD3049
NDMD3349
NDMD3649

SPECIFY IF USING AN
OVERLAY PANEL TO
INSTALL APPLIANCE

SPECIFIED AT 49" TO
ALLOW FOR HEIGHT
ADJUSTMENT DUE TO
DIFFERENT COUNTER
TOP FINISHES AT NO
ADDITIONAL CHARGE

SPECIFY ACTUAL
HEIGHT NEEDED

18" DEEP WALL CABINET
INTERIOR IS MAPLE MELAMINE



CABINET

WMD2430
WMD2730
WMD3030
WMD3330
WMD3630

SPECIFY IF USING AN
OVERLAY PANEL TO
INSTALL APPLIANCE

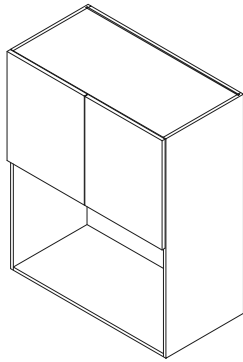
ON:J - OPENING IS
1 1/2" LESS THAN
WIDTH

AMENITY - OPENING
IS 2 1/2" LESS THAN
WIDTH

IRV 1/8-IN AT BOTTOM IS STANDARD

8-14 wall cabinets and hoods microwave, open

18" DEEP WALL CABINET
INTERIOR IS MAPLE MELAMINE



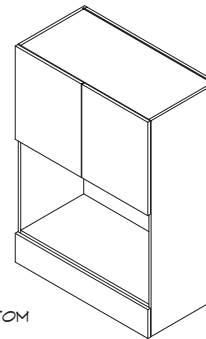
CABINET
WMD2436
WMD2736
WMD3036
WMD3336
WMD3636

SPECIFY IF USING AN
OVERLAY PANEL TO
INSTALL APPLIANCE

ON:J - OPENING IS
1 1/2" LESS THAN
WIDTH

AMENITY - OPENING
IS 2 1/2" LESS THAN
WIDTH

18" DEEP WALL CABINET
ONE DRAWER
INTERIOR IS MAPLE MELAMINE



SPECIFIED AT 55" TO
ALLOW FOR HEIGHT
ADJUSTMENT DUE TO
DIFFERENT COUNTER
TOP FINISHES AT NO
ADDITIONAL CHARGE

IRV 1/8-IN AT BOTTOM
IS STANDARD

CABINET

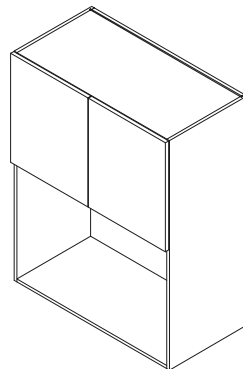
WMCD2455
WMCD2755
WMCD3055
WMCD3355
WMCD3655

SPECIFY IF USING AN
OVERLAY PANEL TO
INSTALL APPLIANCE

ON:J - OPENING IS
1 1/2" LESS THAN
WIDTH

AMENITY - OPENING
IS 2 1/2" LESS THAN
WIDTH

18" DEEP WALL CABINET
INTERIOR IS MAPLE MELAMINE



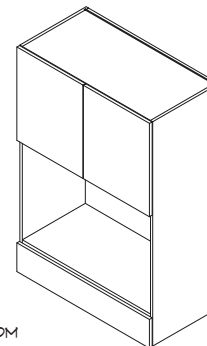
CABINET
WMD2442
WMD2742
WMD3042
WMD3342
WMD3642

SPECIFY IF USING AN
OVERLAY PANEL TO
INSTALL APPLIANCE

ON:J - OPENING IS
1 1/2" LESS THAN
WIDTH

AMENITY - OPENING
IS 2 1/2" LESS THAN
WIDTH

18" DEEP WALL CABINET
ONE DRAWER
INTERIOR IS MAPLE MELAMINE



SPECIFIED AT 61" TO
ALLOW FOR HEIGHT
ADJUSTMENT DUE TO
DIFFERENT COUNTER
TOP FINISHES AT NO
ADDITIONAL CHARGE

IRV 1/8-IN AT BOTTOM
IS STANDARD

CABINET

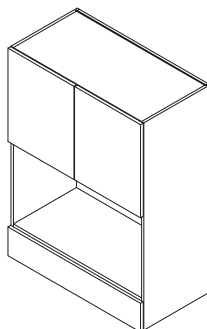
WMCD2461
WMCD2761
WMCD3061
WMCD3361
WMCD3661

SPECIFY IF USING AN
OVERLAY PANEL TO
INSTALL APPLIANCE

ON:J - OPENING IS
1 1/2" LESS THAN
WIDTH

AMENITY - OPENING
IS 2 1/2" LESS THAN
WIDTH

18" DEEP WALL CABINET
ONE DRAWER
INTERIOR IS MAPLE MELAMINE



SPECIFIED AT 49" TO
ALLOW FOR HEIGHT
ADJUSTMENT DUE TO
DIFFERENT COUNTER
TOP FINISHES AT NO
ADDITIONAL CHARGE

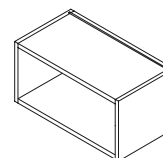
CABINET
WMCD2449
WMCD2749
WMCD3049
WMCD3349
WMCD3649

SPECIFY IF USING AN
OVERLAY PANEL TO
INSTALL APPLIANCE

ON:J - OPENING IS
1 1/2" LESS THAN
WIDTH

AMENITY - OPENING
IS 2 1/2" LESS THAN
WIDTH

13" DEEP WALL CABINET
12" HIGH
NO ADJUSTABLE SHELVES
MATCHING VENEER INTERIOR [MVI]



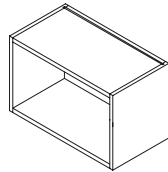
CABINET

WND1212
WND1512
WND1812
WND2112
WND2412
WND2712
WND3012
WND3612
WND4212

IRV 1/8-IN AT BOTTOM IS STANDARD

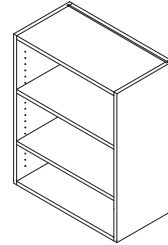
wall cabinets and hoods 8-15 open cabinets

13" DEEP WALL CABINET
15" HIGH
NO ADJUSTABLE SHELVES
MATCHING VENEER INTERIOR [MVI]



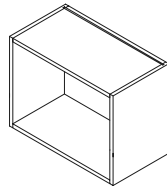
CABINET
WND1215
WND1515
WND1815
WND2115
WND2415
WND2715
WND3015
WND3615
WND4215

13" DEEP WALL CABINET
30" HIGH
TWO ADJUSTABLE SHELVES
MATCHING VENEER INTERIOR [MVI]



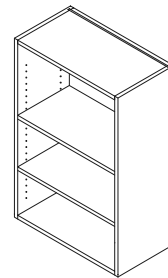
CABINET
WND1230
WND1530
WND1830
WND2130
WND2430
WND2730
WND3030
WND3330
WND3630
WND3930
WND4230

13" DEEP WALL CABINET
18" HIGH
NO ADJUSTABLE SHELVES
MATCHING VENEER INTERIOR [MVI]



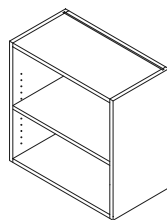
CABINET
WND1218
WND1518
WND1818
WND2118
WND2418
WND2718
WND3018
WND3318
WND3618
WND3918
WND4218

13" DEEP WALL CABINET
36" HIGH
TWO ADJUSTABLE SHELVES
MATCHING VENEER INTERIOR [MVI]



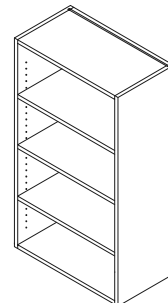
CABINET
WND1236
WND1536
WND1836
WND2136
WND2436
WND2736
WND3036
WND3636
WND4236

13" DEEP WALL CABINET
24" HIGH
ONE ADJUSTABLE SHELF
MATCHING VENEER INTERIOR [MVI]



CABINET
WND1224
WND1524
WND1824
WND2124
WND2424
WND2724
WND3024
WND3324
WND3624
WND3924
WND4224

13" DEEP WALL CABINET
42" HIGH
THREE ADJUSTABLE SHELVES
MATCHING VENEER INTERIOR [MVI]

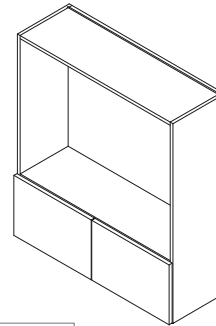


CABINET
WND1242
WND1542
WND1842
WND2142
WND2442
WND2742
WND3042
WND3642

8-16 wall cabinets and hoods open cabinets

13" DEEP WALL CABINET
TOP OPENING, FIXED FLOOR
MATCHING VENEER INTERIOR [MVI]

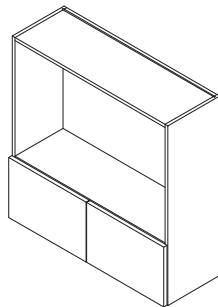
CABINET
WTO2442
WTO2742
WTO3042
WTO3342
WTO3642



24" WITH ONE DOOR AT NO CHARGE
24-36" CABINETS COME STANDARD
WITH BUTT DOORS

13" DEEP WALL CABINET
TOP OPENING, FIXED FLOOR
MATCHING VENEER INTERIOR [MVI]

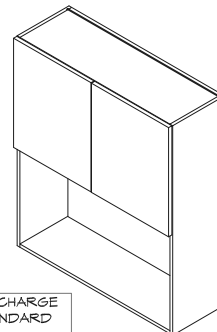
CABINET
WTO2430
WTO2730
WTO3030
WTO3330
WTO3630



24" WITH ONE DOOR AT NO CHARGE
24-36" CABINETS COME STANDARD
WITH BUTT DOORS

13" DEEP WALL CABINET
BOTTOM OPENING, FIXED FLOOR
MATCHING VENEER INTERIOR [MVI]

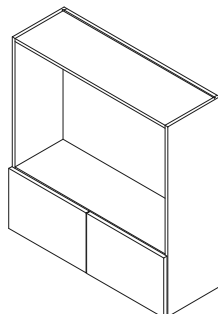
CABINET
WBO2430
WBO2730
WBO3030
WBO3330
WBO3630



24" WITH ONE DOOR AT NO CHARGE
24-36" CABINETS COME STANDARD
WITH BUTT DOORS

13" DEEP WALL CABINET
TOP OPENING, FIXED FLOOR
MATCHING VENEER INTERIOR [MVI]

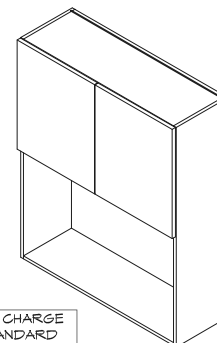
CABINET
WTO2436
WTO2736
WTO3036
WTO3336
WTO3636



24" WITH ONE DOOR AT NO CHARGE
24-36" CABINETS COME STANDARD
WITH BUTT DOORS

13" DEEP WALL CABINET
BOTTOM OPENING, FIXED FLOOR
MATCHING VENEER INTERIOR [MVI]

CABINET
WBO2436
WBO2736
WBO3036
WBO3336
WBO3636



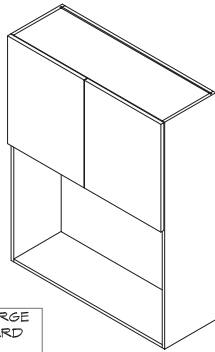
24" WITH ONE DOOR AT NO CHARGE
24-36" CABINETS COME STANDARD
WITH BUTT DOORS

wall cabinets and hoods 8-17

open cabinets, refrigerator cabinets

13" DEEP WALL CABINET
BOTTOM OPENING, FIXED FLOOR
MATCHING VENEER INTERIOR [MVI]

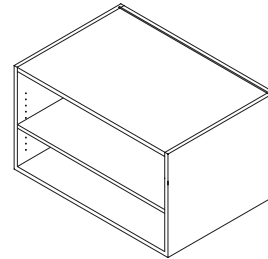
CABINET
NBO2442
NBO2742
NBO3042
NBO3342
NBO3642



24" WITH ONE DOOR AT NO CHARGE
24-36" CABINETS COME STANDARD
WITH BUTT DOORS

24" DEEP WALL CABINET
ONE ADJUSTABLE FULL
DEPTH SHELF

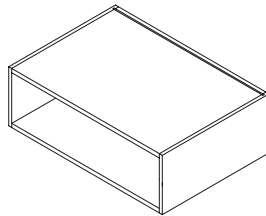
CABINET
RWO3621
RWO3921
RWO4221
RWO4521
RWO4821



MATCHING VENEER INTERIOR IS STANDARD
VALANCE TOP RAIL CAN BE ADDED
FOR ADDITIONAL COST
REFER TO PG. 145 FOR AVAILABLE VALANCES

24" DEEP WALL CABINET
NO SHELF

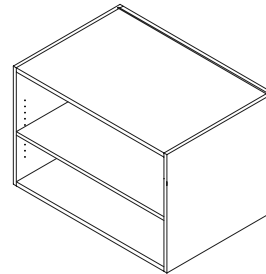
CABINET
RWO3612
RWO3912
RWO4212
RWO4512
RWO4812



MATCHING VENEER INTERIOR IS STANDARD
VALANCE TOP RAIL CAN BE ADDED
FOR ADDITIONAL COST
REFER TO PG. 145 FOR AVAILABLE VALANCES

24" DEEP WALL CABINET
ONE ADJUSTABLE FULL
DEPTH SHELF

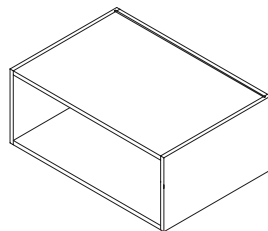
CABINET
RWO3624
RWO3924
RWO4224
RWO4524
RWO4824



MATCHING VENEER INTERIOR IS STANDARD
VALANCE TOP RAIL CAN BE ADDED
FOR ADDITIONAL COST
REFER TO PG. 145 FOR AVAILABLE VALANCES

24" DEEP WALL CABINET
NO SHELF

CABINET
RWO3615
RWO3915
RWO4215
RWO4515
RWO4815



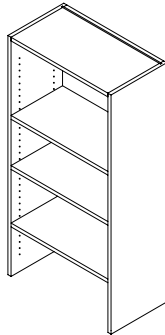
MATCHING VENEER INTERIOR IS STANDARD
VALANCE TOP RAIL CAN BE ADDED
FOR ADDITIONAL COST
REFER TO PG. 145 FOR AVAILABLE VALANCES

8-18 wall cabinets and hoods specialty cabinets

13" DEEP WALL CABINET COUNTERTOP BOOKCASE THREE ADJUSTABLE SHELVES

MATCHING VENEER
INTERIOR IS STANDARD

SPECIFIED AT 44" TO
ALLOW FOR HEIGHT
ADJUSTMENT DUE TO
DIFFERENT COUNTER
TOP FINISHES AT NO
ADDITIONAL CHARGE

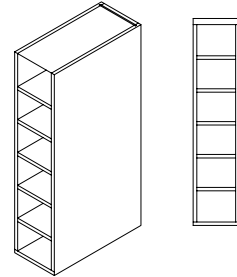


CABINET

WCB1549
WCB1849
WCB2149
WCB2449
WCB2749
WCB3049
WCB3349
WCB3649

13" DEEP WALL CABINET WINE RACK

ALL OPENINGS ARE EQUAL HEIGHT
24" = 4 OPENINGS
30" = 6 OPENINGS
36" = 7 OPENINGS
42" = 8 OPENINGS



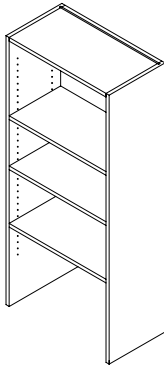
CABINET

WFW6-24A
WFW6-30A
WFW6-36A
WFW6-42A

13" DEEP WALL CABINET COUNTERTOP BOOKCASE THREE ADJUSTABLE SHELVES

MATCHING VENEER
INTERIOR IS STANDARD

SPECIFIED AT 55" TO
ALLOW FOR HEIGHT
ADJUSTMENT DUE TO
DIFFERENT COUNTER
TOP FINISHES AT NO
ADDITIONAL CHARGE



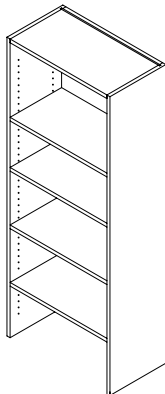
CABINET

WCB1555
WCB1855
WCB2155
WCB2455
WCB2755
WCB3055
WCB3355
WCB3655

13" DEEP WALL CABINET COUNTERTOP BOOKCASE FOUR ADJUSTABLE SHELVES

MATCHING VENEER
INTERIOR IS STANDARD

SPECIFIED AT 61" TO
ALLOW FOR HEIGHT
ADJUSTMENT DUE TO
DIFFERENT COUNTER
TOP FINISHES AT NO
ADDITIONAL CHARGE



CABINET

WCB1561
WCB1861
WCB2161
WCB2461
WCB2761
WCB3061
WCB3361
WCB3661

wall cabinets and hoods 8-19

specialty hinging, angled face cabinet, wall accessories

BIFOLD HINGE ACCESSORY BLUM AVENTOS

ADD AS A MODIFICATION TO WALL CABINET



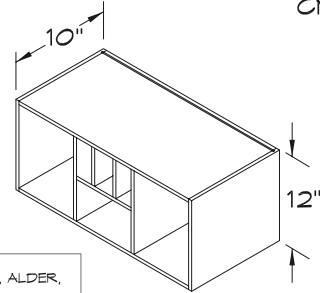
ABBREVIATION
HF

NOT RECOMMENDED
FOR COUNTER TOP
APPLICATIONS

AVAILABLE IN ONJ
ONLY

10" DEEP WALL CABINET CUSTOM MAIL ORGANIZER

CABINET
CMO



AVAILABLE FINISHES -
OAK PAINT, MAPLE, BEECH, ALDER,
CHERRY, RUST. ALDER

AVAILABLE WIDTHS -
30", 36", 42"

CENTER PARTITIONS - 4 1/2" X 4 1/2"
14 1/2" X 5 1/2"

END OPENINGS WILL VARY IN SIZE

FLIP UP HINGE ACCESSORY BLUM AVENTOS

ADD AS A MODIFICATION TO WALL CABINET

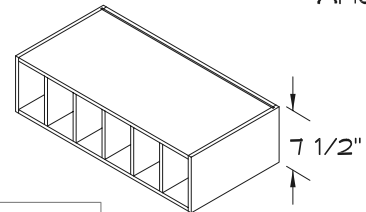


ABBREVIATION
HK

AVAILABLE IN ONJ
ONLY

10" DEEP WALL CABINET WALL MAIL ORGANIZER

CABINET
WMO



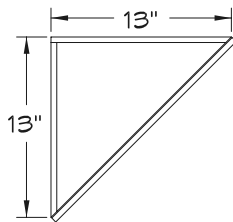
AVAILABLE FINISHES -
OAK PAINT, MAPLE, BEECH, ALDER,
CHERRY, RUST. ALDER

AVAILABLE WIDTHS -
24", 30", 36", 42"

24" WIDE = 4 OPENINGS
30" WIDE = 5 OPENINGS
36" WIDE = 6 OPENINGS
42" WIDE = 7 OPENINGS

13" DEEP WALL CABINET ANGLED FACE

SPECIFY HINGELEFT OR RIGHT
TWO SHELVES IN 30"-36" HIGH CABINETS
THREE SHELVES IN 42"-48" HIGH CABINETS



CABINET
WA1330
WA1336
WA1342
WA1348

FINISHED ENDS
STANDARD IN ONJ
ONLY

ONJ DEPTH: 13 7/8"
AMENITY DEPTH: 13"

PNEUMATIC LIFT

BP57812105



8-20 wall cabinets and hoods specialty cabinets

AVENTOS HS BY BLUM
UP AND OVER LIFT DOOR

AVAILABLE IN ON:U
ONLY



AVENTOS HL BY BLUM
PARALLEL LIFT

AVAILABLE IN ON:U
ONLY

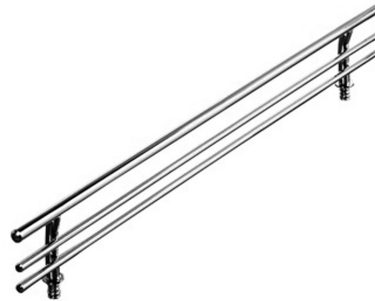


WEBKIT 10012
SLIDING DOORS

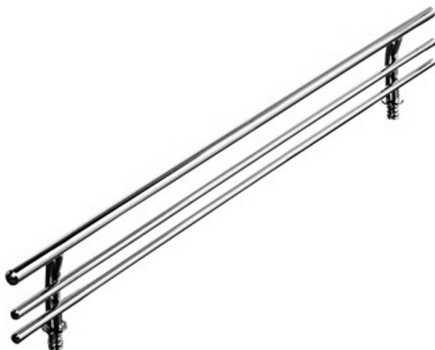
AVAILABLE IN ON:U
ONLY



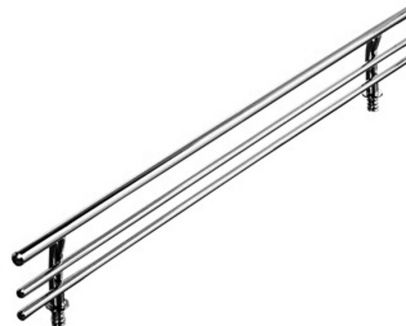
SHELF GALLERY, CHROME
8805140
21 9/16" X 1 1/2"



SHELF GALLERY, CHROME
8803140
15 43/64" X 1 1/2"



SHELF GALLERY, CHROME
8802140
13 45/64" X 1 1/2"



8-21
 wall cabinets and hoods
 specialty hinging, angled face cabinet, wall accessories

RACK, CHROME
 6160140
 WALL 23 1/4", 31", 35" CABINET
 (SUBJECT TO SPECIFIC SIZE)



PEGASUS PULL-DOWN MECHANISM
 WEBKIT1010887: 30-3/8-IN MIN INTERIOR WIDTH
 WEBKIT1010888: 42-1/8-IN MIN INTERIOR WIDTH



WALL PULLOUT FILLER



ABBREVIATION

WCF330PF
 WCF336PF
 WCF342PF

ADJUSTABLE SHELVES
 FULL TEXTENSION SLIDES
 OVERLAY FILLER REQUIRED
 [FRONT]

NOTE: UNIT MUST BE MOUNTED
 BETWEEN TWO WALL CABINETS

TAMBOURS, ALUMINUM AND STAINLESS STEEL



KITAMB30ALU
 KITAMB30SS
 KITAMB36ALU
 KITAMB36SS

MINIMUM DEPTH: 15"
 MINIMUM WIDTH: 24"
 MAXIMUM WIDTH: 36"
 MAXIMUM HEIGHT: 39"

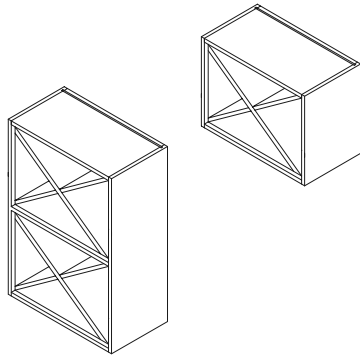
NOTE:
 ADD TAMBOUR AS
 AN ACCESSORY TO
 A WALL CABINET

CUSTOM SIZES AVAILABLE
 REQUEST A CUSTOM QUOTE



8-22 wall cabinets and hoods wine rack, pigeonholes

13" DEEP WALL CABINET WINE RACK



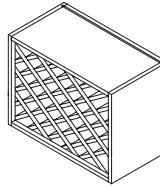
OPENING WIDTH AND HEIGHT MUST BE EQUAL
OPENING IS TRIMMED WITH 1/4" X 5/8" FLAT MOULDING
MATCHING VENEER INTERIOR IS STANDARD
WAINSCOT ENDS ARE NOT AVAILABLE ON WINE RACKS

AMENITY
CABINET
WROC 16 1/2 18
WROC 19 1/2 21
WROC 22 1/2 24
WROC 25 1/2 27
WROC 28 1/2 30

WROC 17 1/4 36
WROC 20 1/4 42
WROC 23 1/4 48
WROC 24 3/4 54

ON:U
CABINET
WROC1818
WROC2121
WROC2424
WROC2727
WROC3030

13" DEEP WALL CABINET LATTICE WINE RACK



MATCHING VENEER INTERIOR
IS STANDARD

ON:U
CABINET
WXR2421
WXR3021
WXR3321
WXR3621

WXR2424
WXR3024
WXR3324
WXR3624

ON:U
CABINET
WXR2415
WXR3015
WXR3315
WXR3615

WXR2418
WXR3018
WXR3318
WXR3618

WXR2427
WXR3027
WXR3327
WXR3627

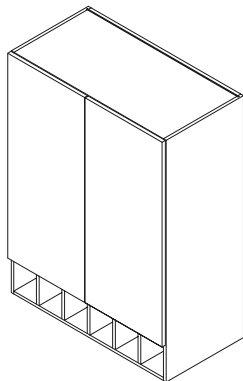
WXR2430
WXR3030
WXR3330
WXR3630

AMENITY
CABINET
WXR2415
WXR3015
WXR3315
WXR3615

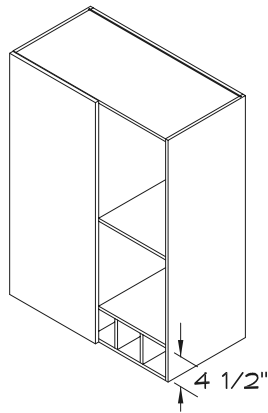
WXR2418
WXR3018
WXR3318
WXR3618

WXR1530
WXR1830
WXR2130
WXR2430

WXR1536
WXR1836
WXR2136
WXR2436



STANDARD CONFIGURATION
PIGEONHOLES EXPOSED
MVI RECOMMENDED



IF DOOR COVERS PIGEONHOLES
STANDARD INTERIOR IS PROVIDED

PIGEONHOLE CABINET 11" DEEP CABINET PIGEONHOLE BEHIND DOORS, 6" HIGH

24" WIDE = 4 OPENINGS
30" WIDE = 5 OPENINGS
36" WIDE = 6 OPENINGS
42" WIDE = 7 OPENINGS

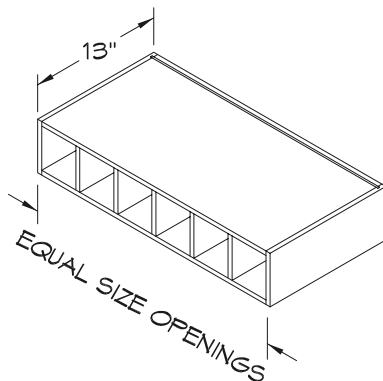
AMENITY CABINET WPH 2430 WPH 3030 WPH 3630 WPH 4230 WPH 4230 WPH 2436 WPH 3036 WPH 3636 WPH 4236 WPH 2442 WPH 3042 WPH 3642 WPH 4242 WPH 2448	ON:U CABINET WPH 3030 WPH 3630 WPH 4230 WPH 3036 WPH 3636 WPH 4236 WPH 3042 WPH 3642 WPH 4242 WPH 3048 WPH 3648 WPH 4248
--------------------------------------------------------------------------------------------------------------------------------------------------------------------------------------------	-----------------------------------------------------------------------------------------------------------------------------------------------------------------

PIGEONHOLE UNIT 13" DEEP UNIT, 6" HIGH

30" WIDE = 5 OPENINGS
36" WIDE = 6 OPENINGS
42" WIDE = 7 OPENINGS

MATCHING VENEER INTERIOR IS STANDARD

CABINET
WPHA 30-6
WPHA 36-6
WPHA 42-6

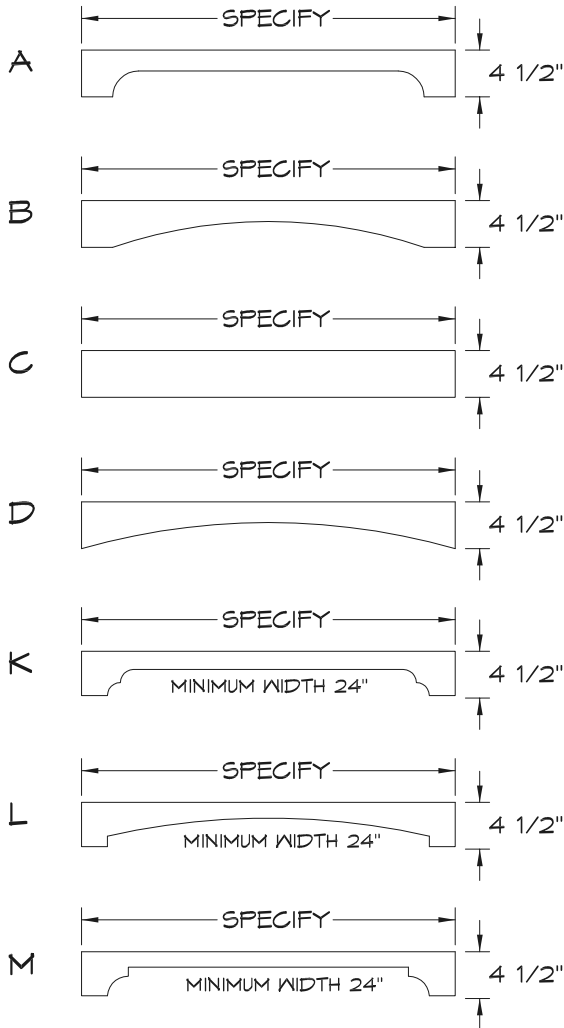


wall cabinets and hoods 8-23

specialty cabinets, wall accessories

VALANCES

ABBREVIATION
VAL- (STYLE) X (WIDTH)



AVAILABLE FINISHES -
OAK PAINT, MAPLE, BEECH, ALDER,
CHERRY, RUST. ALDER

AVAILABLE WIDTHS -
24" - 96"

NOTE MINIMUM WIDTHS-
NO EXCEPTIONS

SEE SPECIFICATIONS SECTION FOR
MORE DETAILS

SHELVES

ABBREVIATION
STD UV COATED HARDWOOD

MATCHING VENEERED SHELF
(STAINED TO MATCH EXTERIOR)

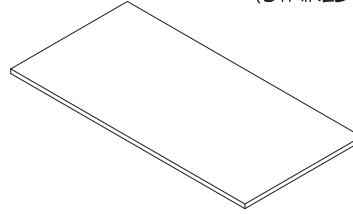
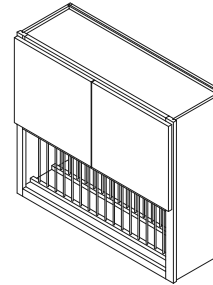


PLATE RACK INSERT

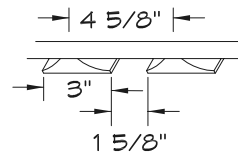
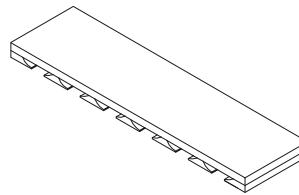
ABBREVIATION
PLRI



MUST BE A 13" DEEP CASE.
PLATE RACK WILL ACCOMMODATE A PLATE UP TO 12"
IN DIAMETER. DOWELS ARE REMOVABLE FOR CLEANING

WINE GLASS RACK

ABBREVIATION
WGR



AVAILABLE FINISHES -
OAK PAINT, MAPLE, BEECH, ALDER,
CHERRY, RUST. ALDER

AVAILABLE WIDTHS -
24", 30", 36", 42"

DEPTH OF UNIT = 11 1/4"

24" = 5 SLOTS
30" = 6 SLOTS
36" = 7 SLOTS
42" = 8 SLOTS

8-24 wall cabinets and hoods specialty cabinets, wall accessories

UNDER CABINET TRIM MOULDING

ABBREVIATION

UCT__ - (V OR H)

TRIM MOULDING WILL BE NOTCHED TO RECEIVE 1/4" PANEL. MOULDING CAN BE ATTACHED VERTICALLY BELOW CABINET OR HORIZONTALLY. ORDER TRIM MOULDING AND PANELING SEPARATELY. TRIM MOULDING IS ONLY SOLD IN 8 FOOT LENGTHS.

UNDER CABINET PANEL

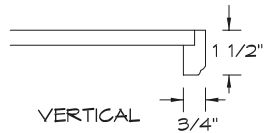
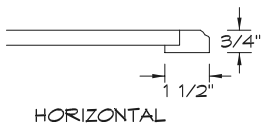
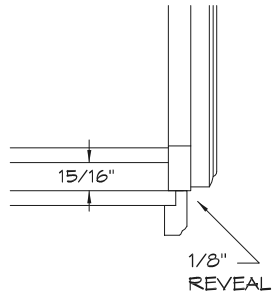
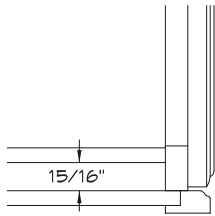
ABBREVIATION

UCP 96 X __

AVAILABLE FINISHES - OAK PAINT, MAPLE, BEECH, ALDER, CHERRY, RUST. ALDER

AVAILABLE DEPTHS - 13", 24", 48"

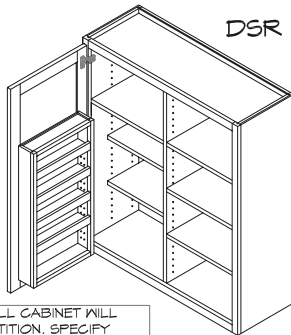
1/4" PANELING SOLD IN 96" LENGTHS ONLY



DOOR MOUNT SPICE RACK

ABBREVIATION

DSR



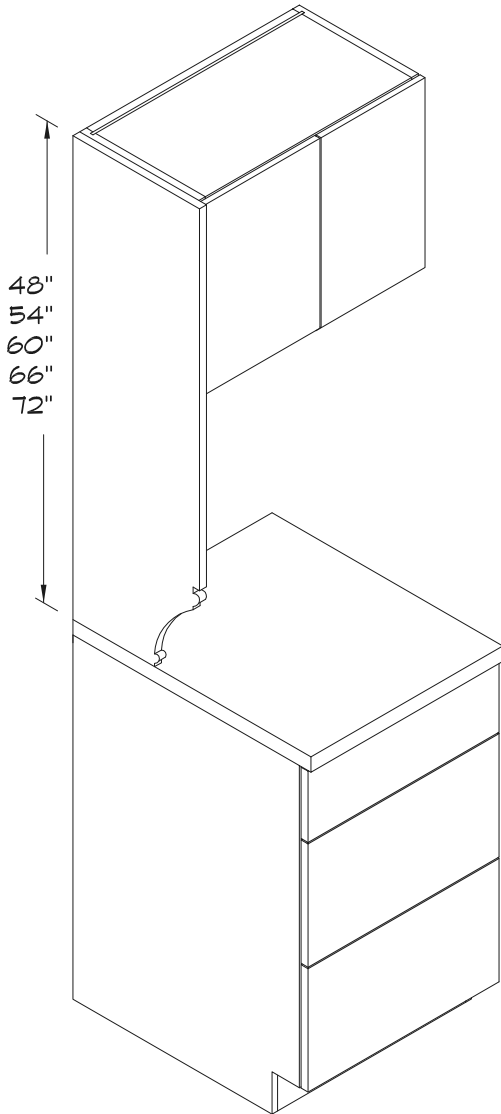
DOUBLE DOOR WALL CABINET WILL HAVE CENTER PARTITION. SPECIFY SPICE RACK LEFT OR RIGHT SIDE.

UNIT MEASURES 25 1/2" H AND 3 1/4" D
MINIMUM WIDTH: 9"
MAXIMUM WIDTH: 18"

wall cabinets and hoods 8-25
end panel curved, wall accessories

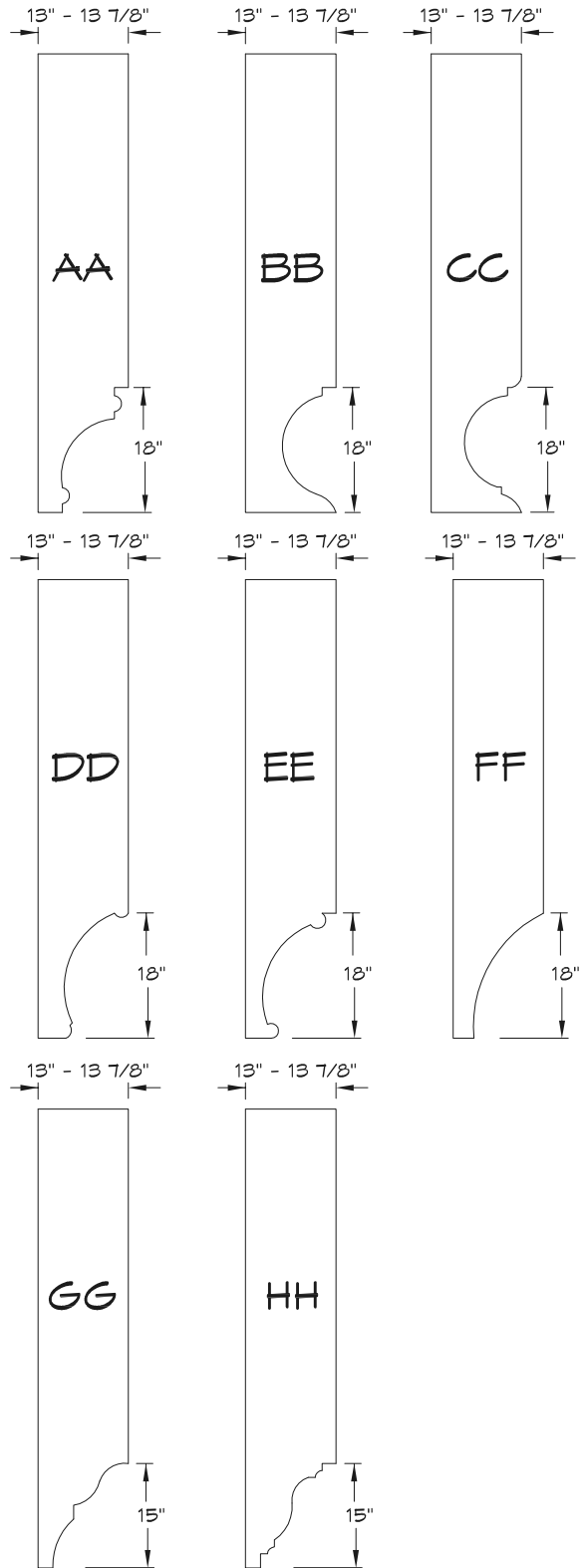
WALL END PANEL
CURVED

ABBREVIATION
WEPC - STYLE - HEIGHT



AVAILABLE IN EIGHT DESIGNS
AVAILABLE IN 3/4\" OR 1\" THICKNESS
AVAILABLE IN 48\", 54\", 60\", 66\", 72\" HEIGHTS
(EXOTICS ARE NOT AVAILABLE)
SHIPPED LOOSE

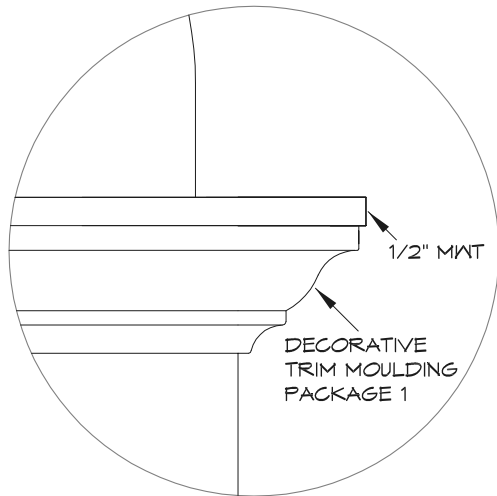
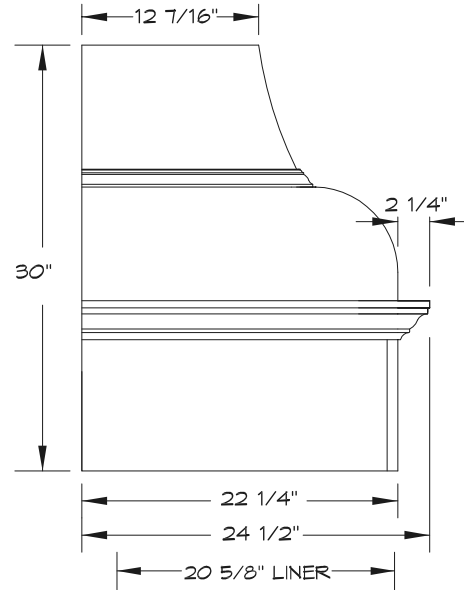
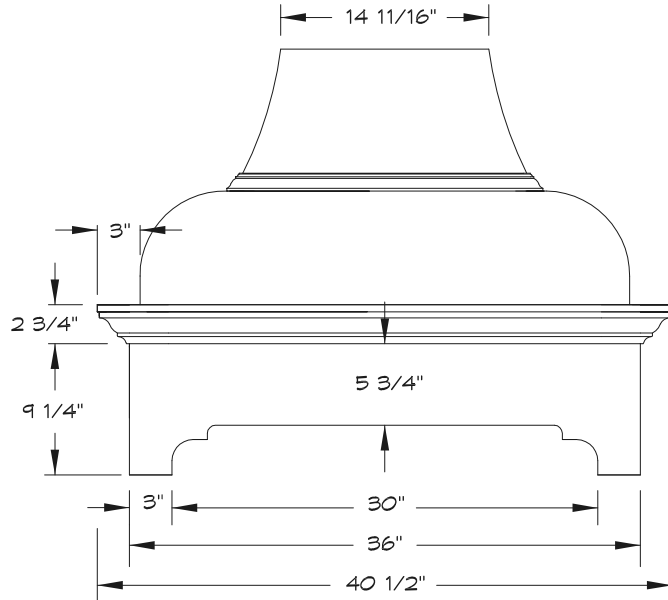
STYLES AVAILABLE



8-26 wall cabinets and hoods
notes

NOTES

wall cabinets and hoods 8-27
DDP series hoods



HOOD

DDP1__(WIDTH) x__(HEIGHT)

SPECIFY WIDTH AND HEIGHT
EXAMPLE: ADP13630

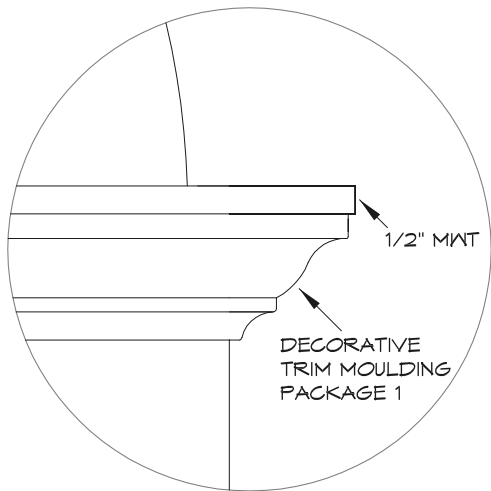
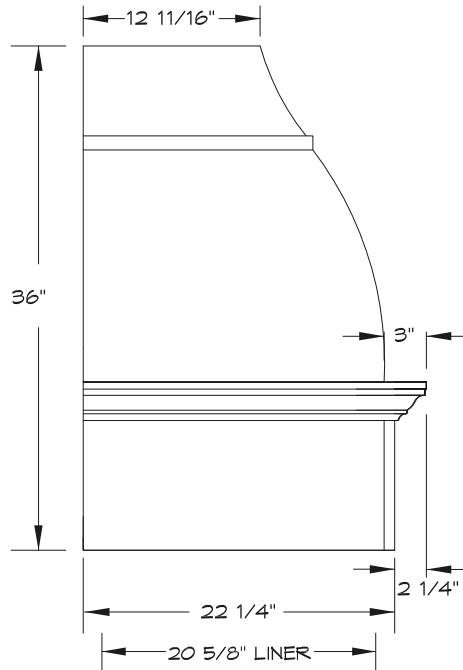
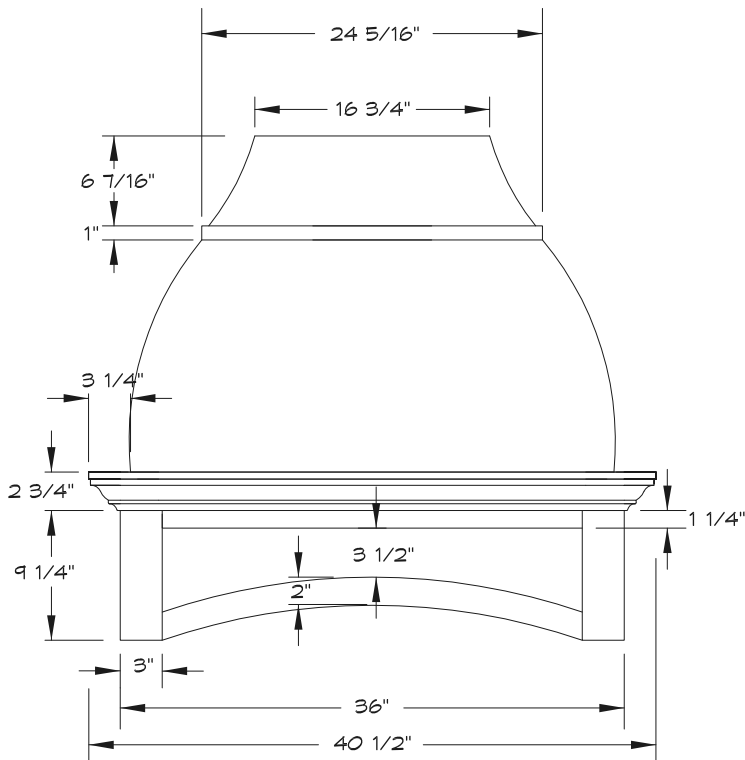
AVAILABLE IN THE FOLLOWING HEIGHTS:
30, 36, 42

AVAILABLE IN THE FOLLOWING WIDTHS:
36, 42, 48, 54, 60"

24 11/16" DEEP WOOD HOOD: 30", 42", 48" HIGH
DECORATIVE TRIM MOULDING AND VALANCE.
STAIN GRADE CURVED TOP - NOT SUITABLE FOR
PAINTING.
WOODS AVAILABLE: CHERRY, RED OAK, MAPLE,
BEECH, ALDER, RUSTIC ALDER, 1/4 SAWN
WHITE OAK.

8-28 wall cabinets and hoods

BPD series hoods



23 1/2" DEEP WOOD HOOD.
 EXTENDED CHIMNEY AVAILABLE.
 DECORATIVE TRIM MOULDING.
 WOODS AVAILABLE: CHERRY, RED OAK, MAPLE,
 BEECH, ALDER, RUSTIC ALDER, 1/4 SAWN
 WHITE OAK.

HOOD

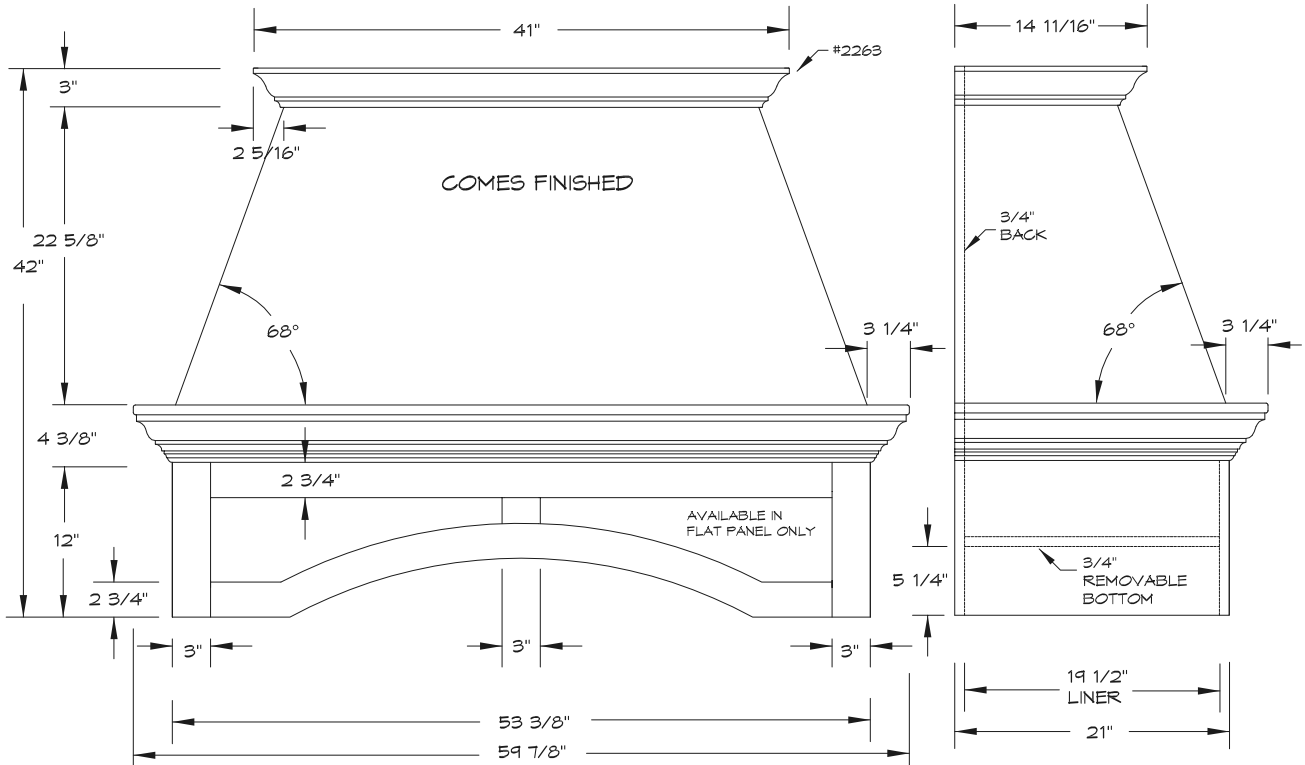
BDP2 __ (WIDTH) x __ (HEIGHT)

SPECIFY WIDTH AND HEIGHT
 EXAMPLE: BDP23630

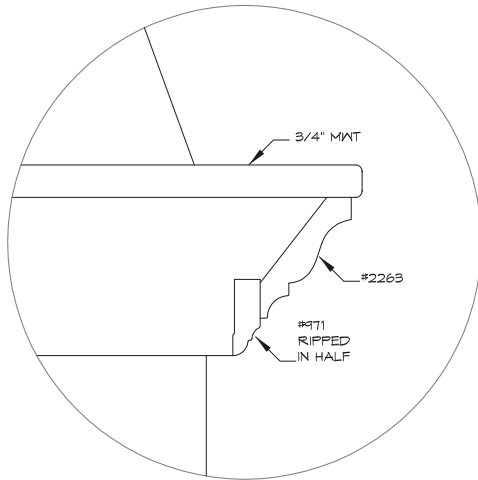
AVAILABLE IN THE FOLLOWING HEIGHTS:
 30, 36, 42"

AVAILABLE IN THE FOLLOWING WIDTHS:
 36, 42, 48, 54, 60"

PLEASE NOTE: LIMITED STILE AND RAIL
 AND PANEL INSERT PROFILES
 AVAILABLE.



THE SECTION BELOW
THE MANTEL IS
AVAILABLE IN FLAT
PANEL ONLY



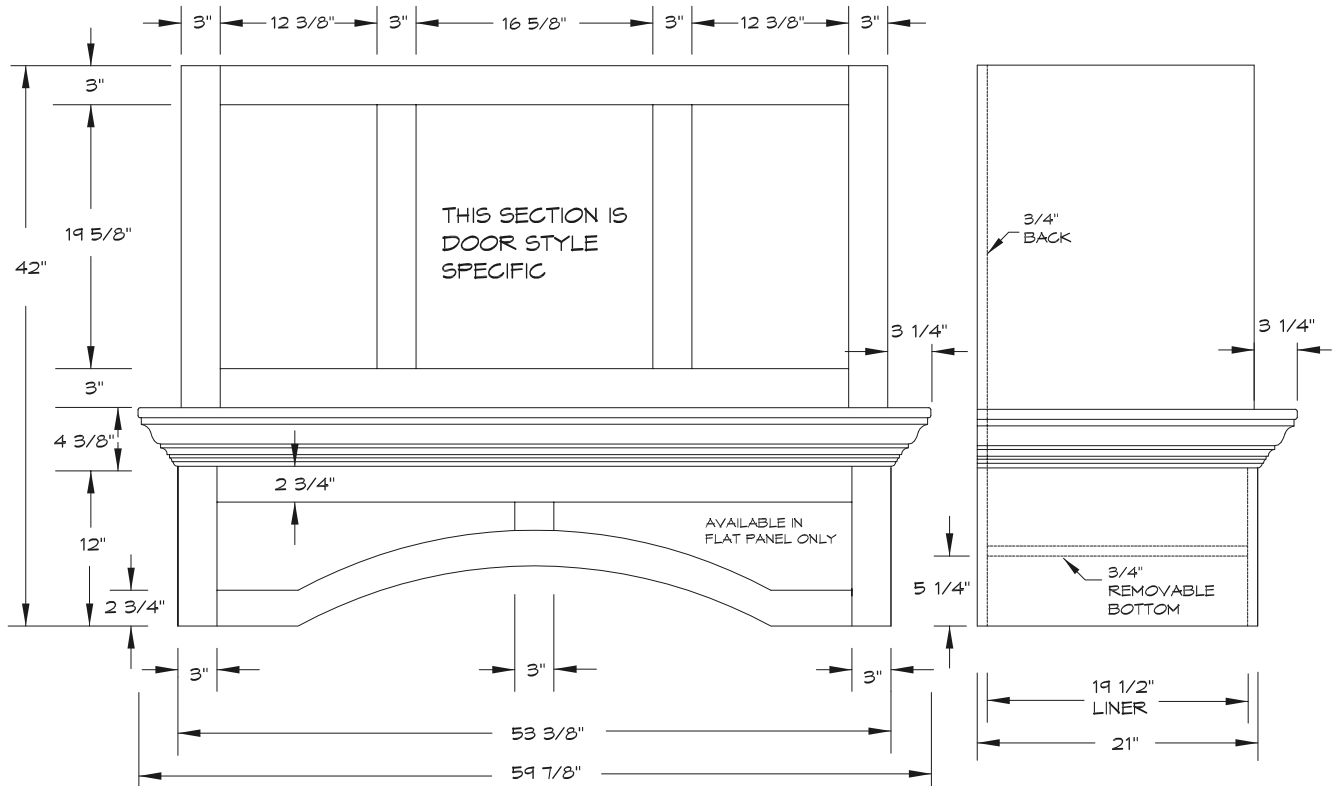
HOOD

WHO___(WIDTH) x___(HEIGHT)

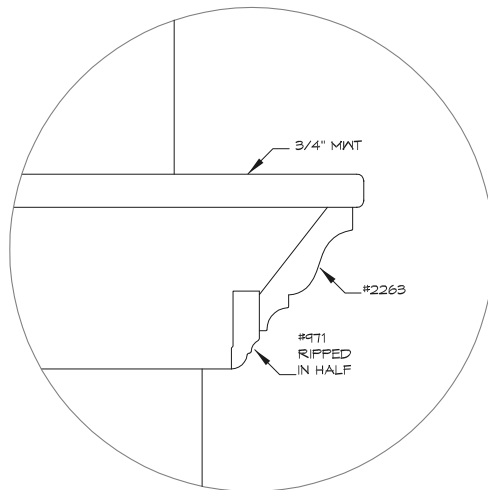
SPECIFY WIDTH AND HEIGHT
EXAMPLE: WHO53 3/4 42

DECORATIVE HOOD O COMES WITH MOULDING AND ARCHED VALANCE AS SHOWN, TOP AND BOTTOM MOULDINGS ARE FINISHED TO MATCH KITCHEN ORDER

8-30 wall cabinets and hoods D series hoods



THE SECTION BELOW THE MANTEL IS AVAILABLE IN FLAT PANEL ONLY



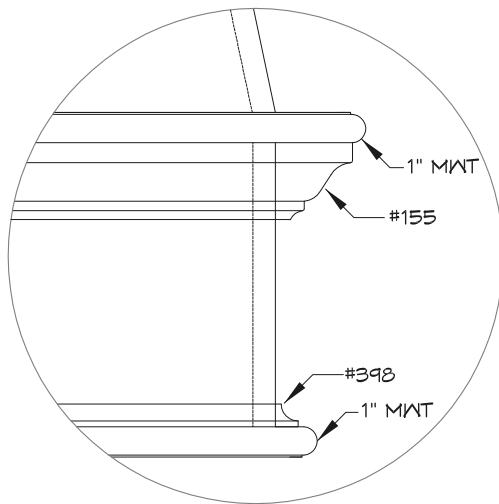
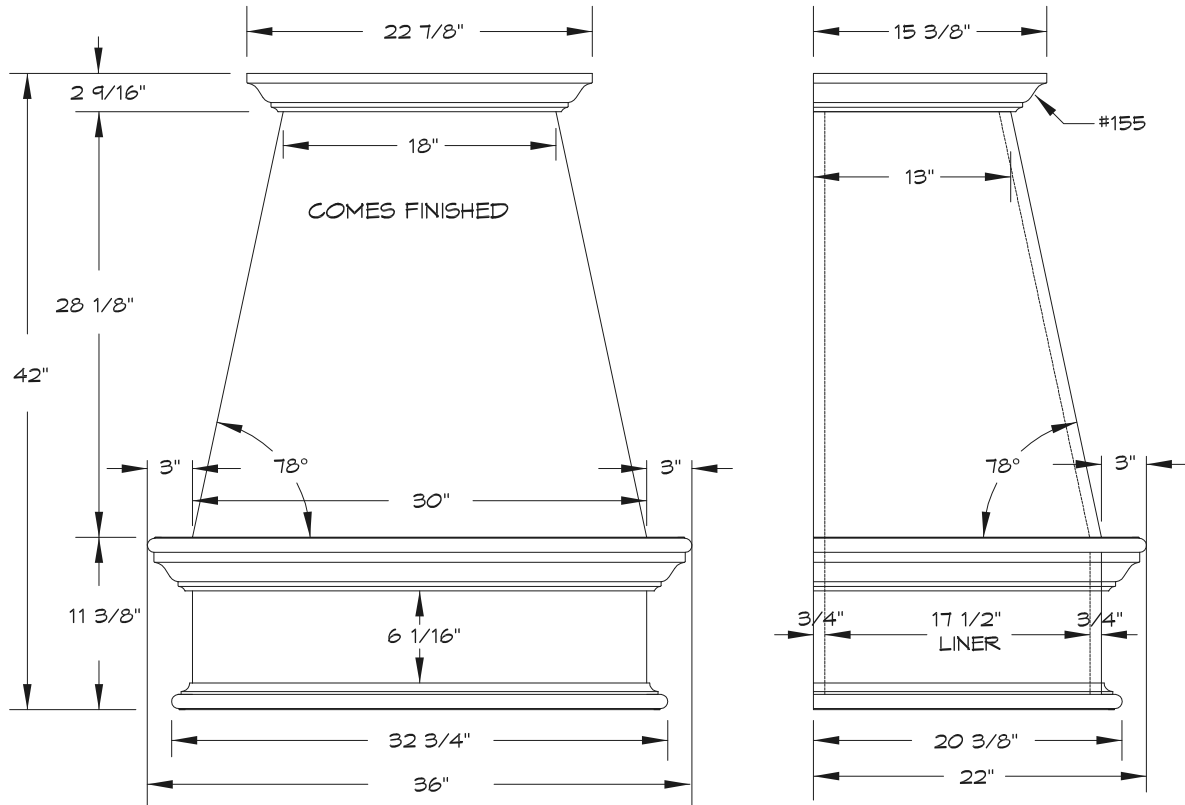
HOOD

WHD__ (WIDTH) x __ (HEIGHT)

SPECIFY WIDTH AND HEIGHT
EXAMPLE: WHD53 3/8 42

DECORATIVE HOOD D COMES WITH TWO FINISHED SIDES, MOULDING AND ARCHED VALANCE AS SHOWN.

wall cabinets and hoods 8-31
E series hoods



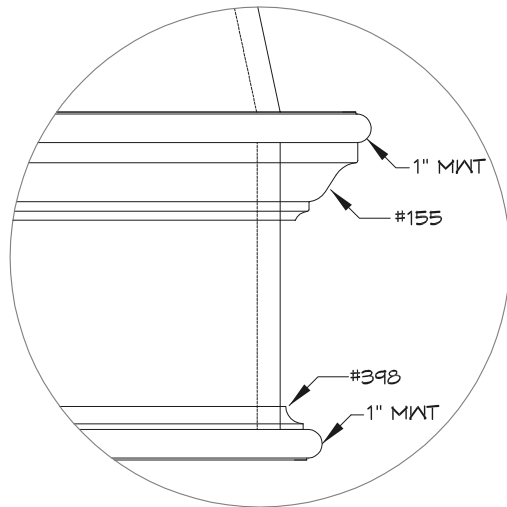
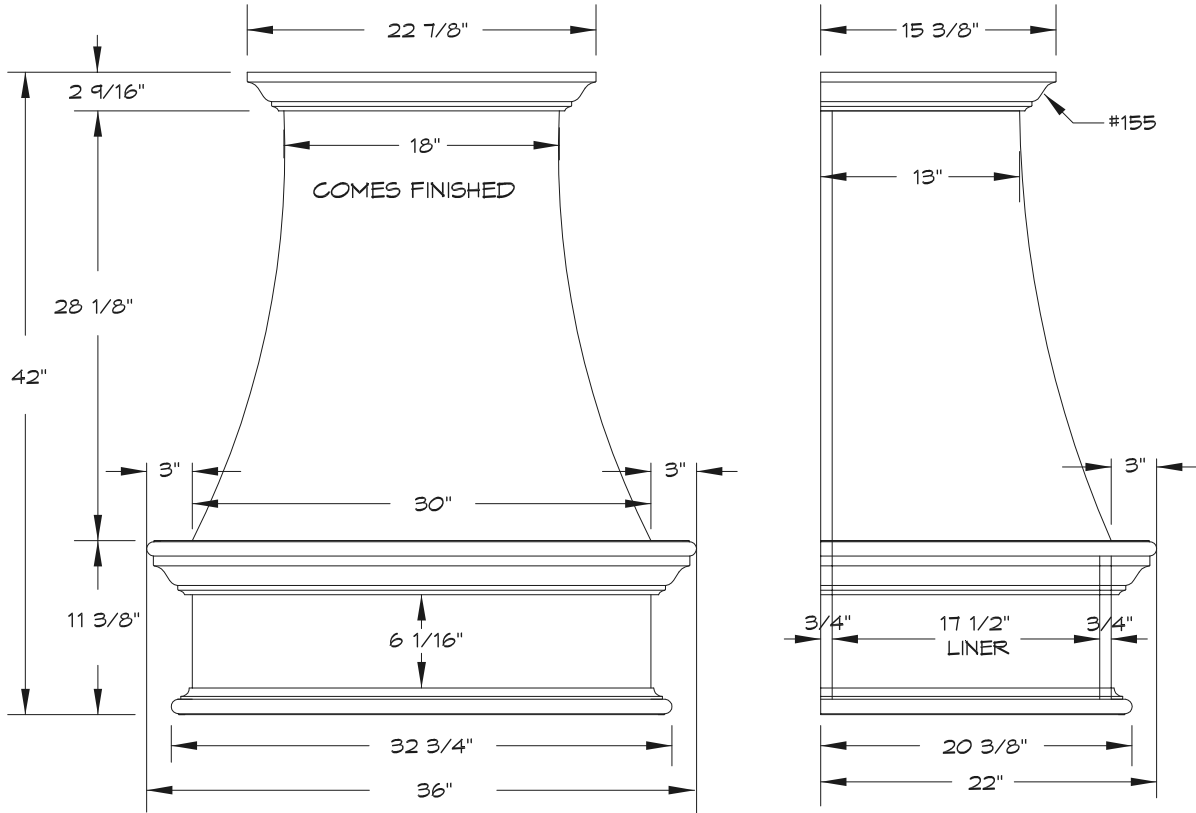
HOOD

WHE__(WIDTH) x__(HEIGHT)

SPECIFY WIDTH AND HEIGHT
EXAMPLE: WHE3642

DECORATIVE HOOD E TOP AND BOTTOM MOULDINGS ARE FINISHED TO MATCH KITCHEN ORDER.

8-32 wall cabinets and hoods
F series hoods

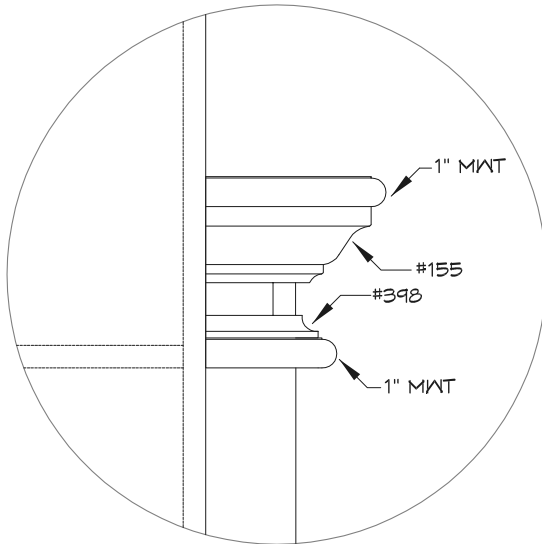
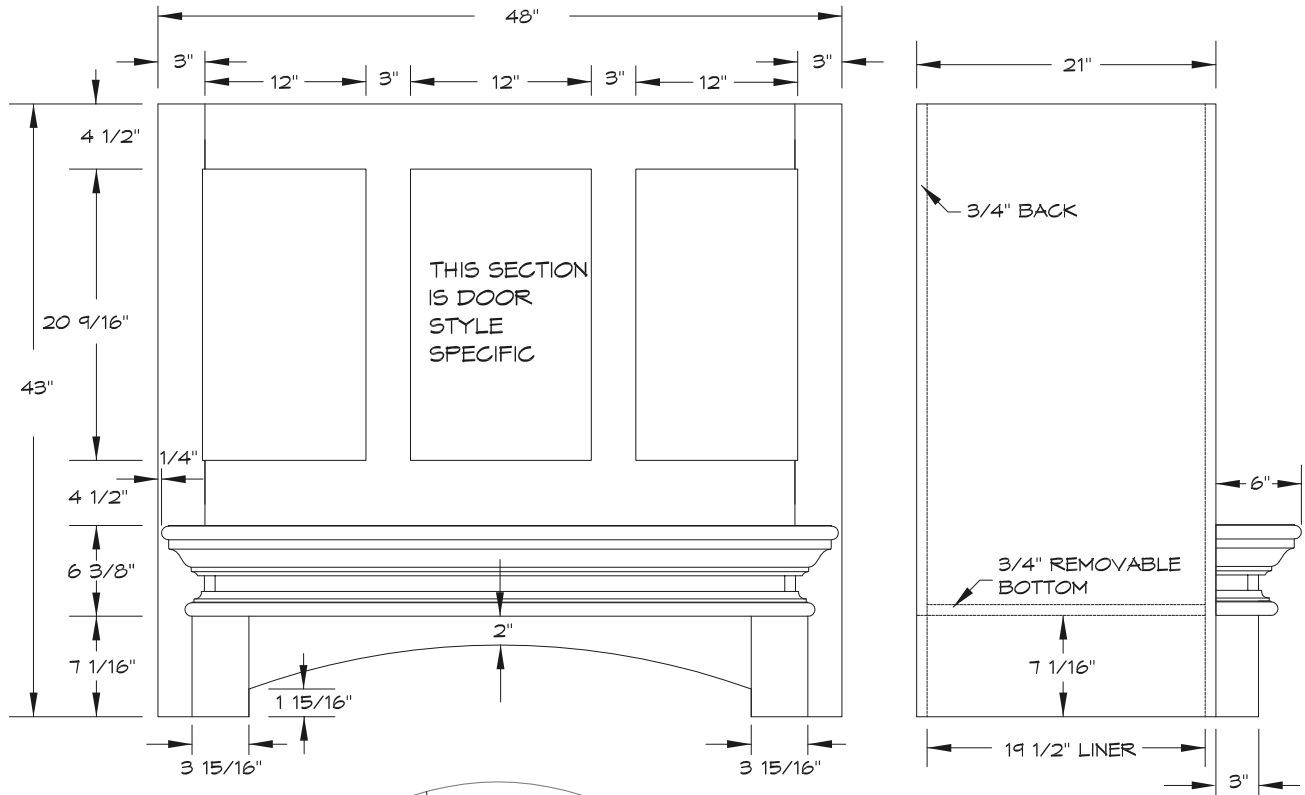


HOOD

WHF__(WIDTH) x__(HEIGHT)

SPECIFY WIDTH AND HEIGHT
EXAMPLE: WHF3642

DECORATIVE HOOD F TOP AND BOTTOM MOULDINGS
ARE FINISHED TO MATCH KITCHEN ORDER.



HOOD

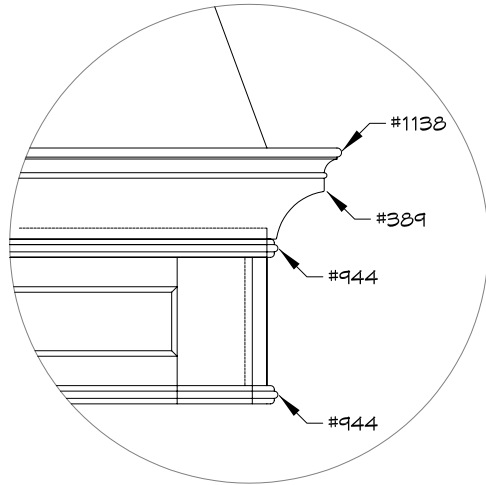
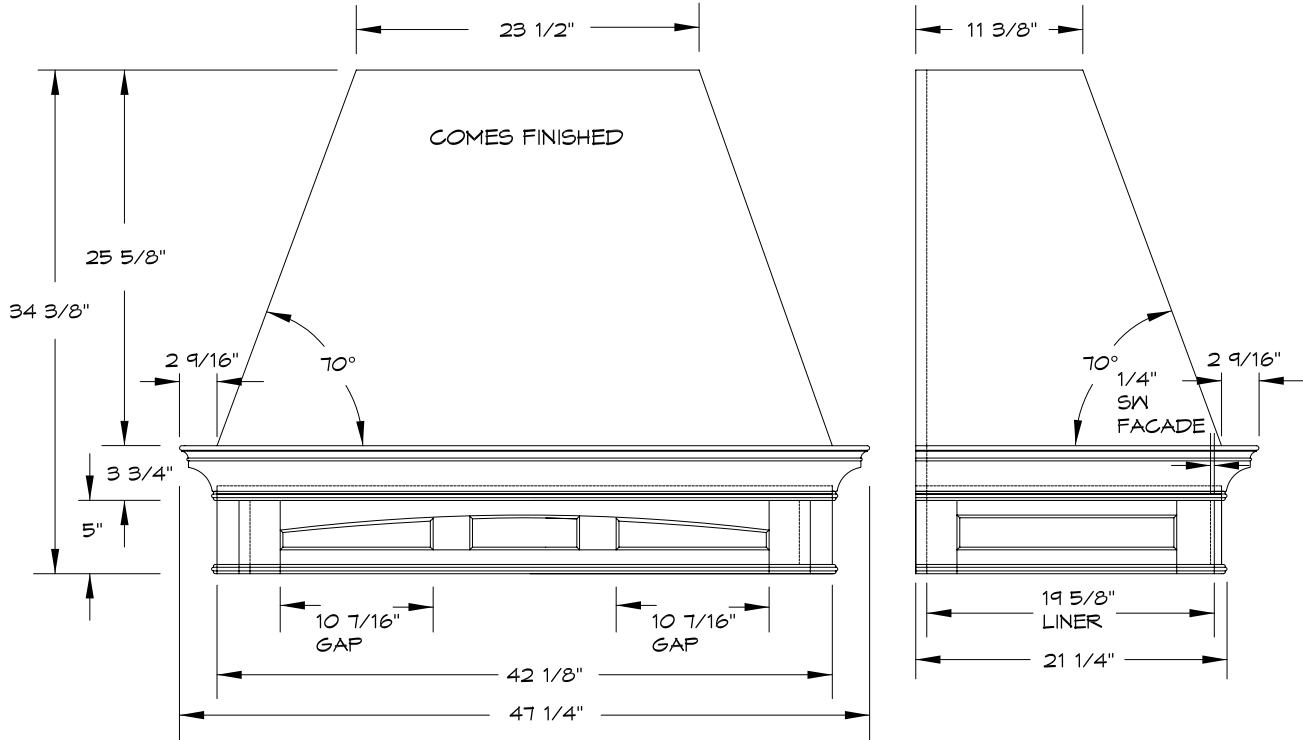
NHH__(WIDTH) x__(HEIGHT)

SPECIFY WIDTH AND HEIGHT
EXAMPLE: NHH4843

AVAILABLE CORBELS:
CBL-SH1, CBL-TRO, CBL-FLT1
(TRIM TO FIT)

DECORATIVE HOOD H COMES WITH TWO FINISHED SIDES, WAINSCOT OR DOORS (DEPENDING ON THE DOOR STYLE), MANTEL SHELF AND ARCHED VALANCE AS SHOWN. CORBEL SELECTION WILL EFFECT DIMENSIONS. CORBELS NOT INCLUDED - PLEASE SELECT FROM AVAILABLE OPTIONS.

8-34 wall cabinets and hoods L series hoods

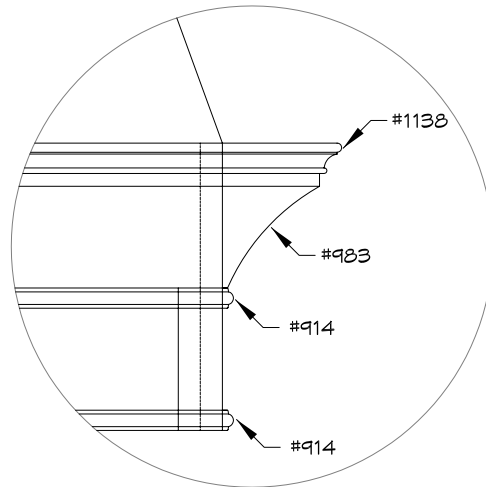
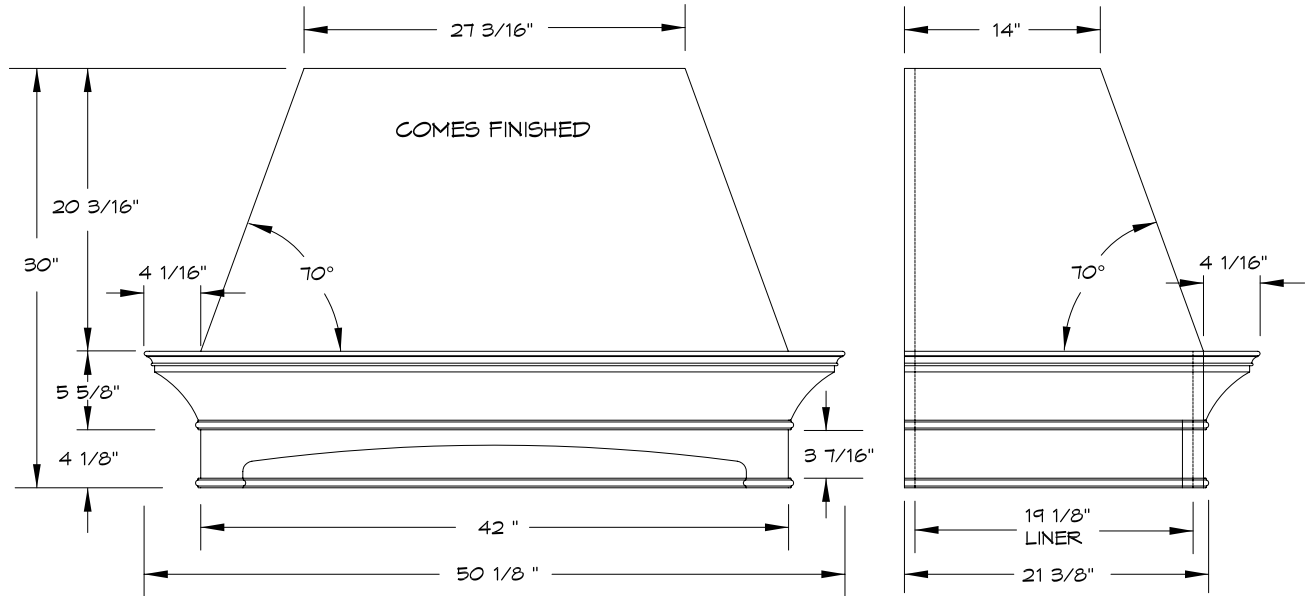


HOOD
WHL__(WIDTH) x__(HEIGHT)

SPECIFY WIDTH AND HEIGHT
 EXAMPLE: WHL42 1/8 34 3/8

DECORATIVE HOOD L COMES WITH MOULDINGS AND VALANCE AS SHOWN. SIDE OF UNIT TAPER TOWARD TOP.

wall cabinets and hoods 8-35
M series hoods



HOOD

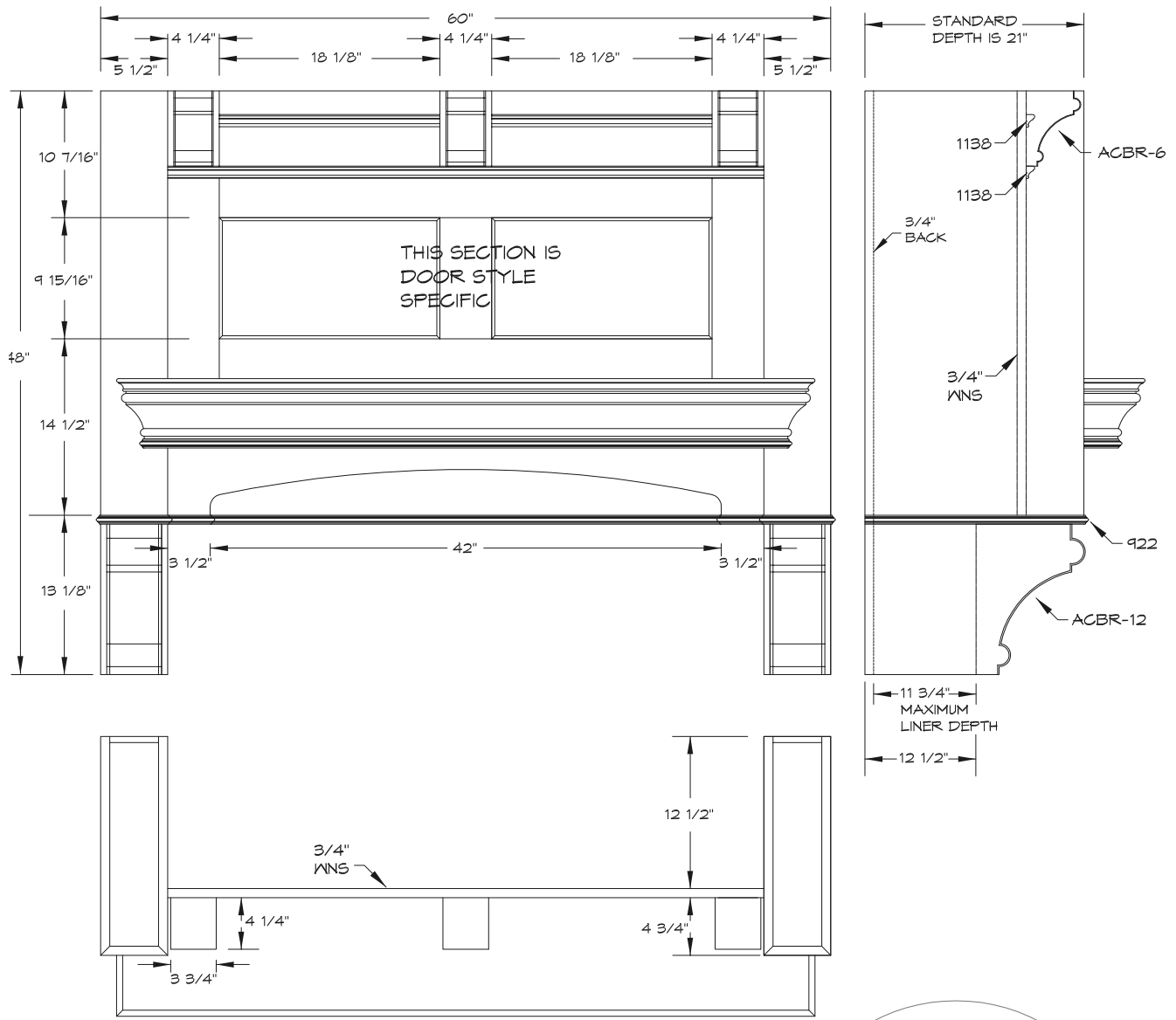
WHM__(WIDTH) x__(HEIGHT)

SPECIFY WIDTH AND HEIGHT
EXAMPLE: WHM4230

DECORATIVE HOOD M COMES WITH MOULDINGS AND VALANCE AS SHOWN. SIDE OF UNIT TAPER TOWARD TOP.

8-36 wall cabinets and hoods

N series hoods



PLAN VIEW

DECORATIVE HOOD N COMES WITH TWO FLUSH FINISHED SIDES IN MATCHING VENEER AND MOULDING AS SHOWN. CORBELS CANNOT BE SUBSTITUTED. CORBELS SHOWN ARE INCLUDED IN THE PRICE OF THE HOOD.

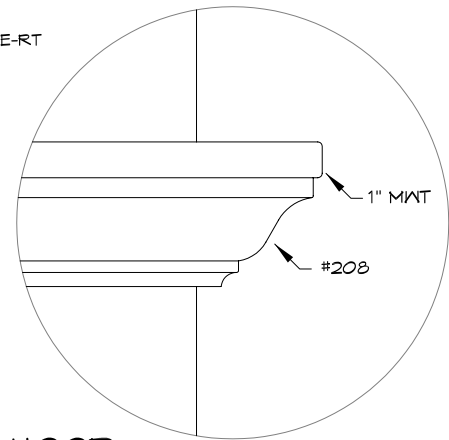
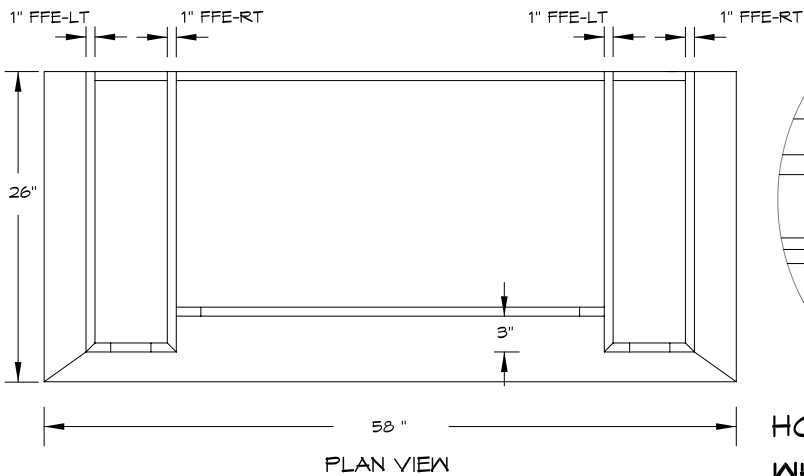
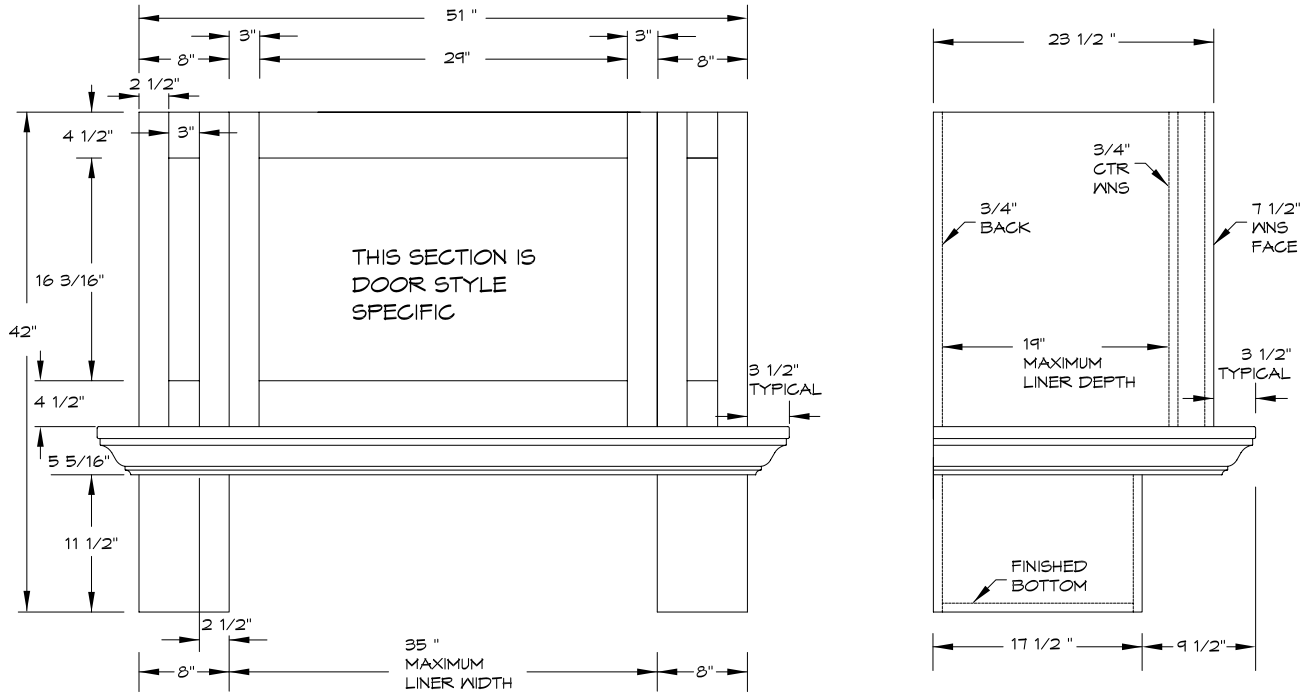
HOOD

W \times H (WIDTH) x (HEIGHT)

SPECIFY WIDTH AND HEIGHT

EXAMPLE: W \times H6048

wall cabinets and hoods 8-37
Q series hoods



HOOD
WHQ__(WIDTH) x__(HEIGHT)

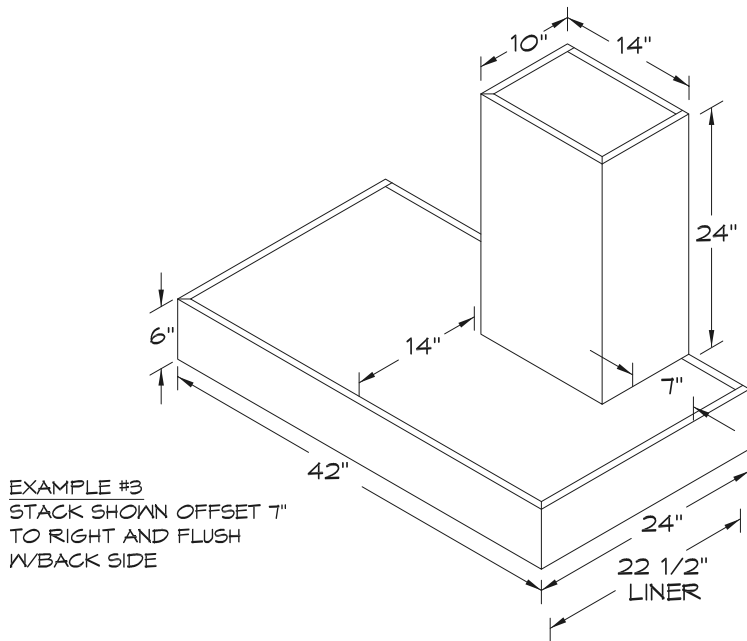
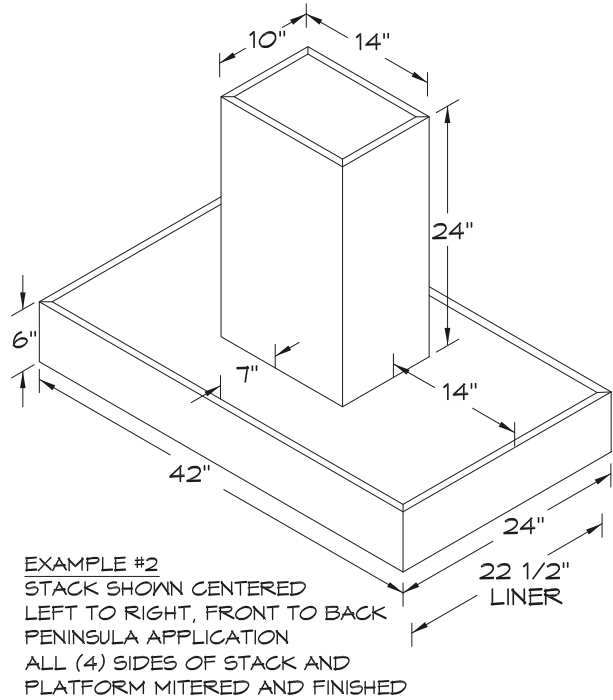
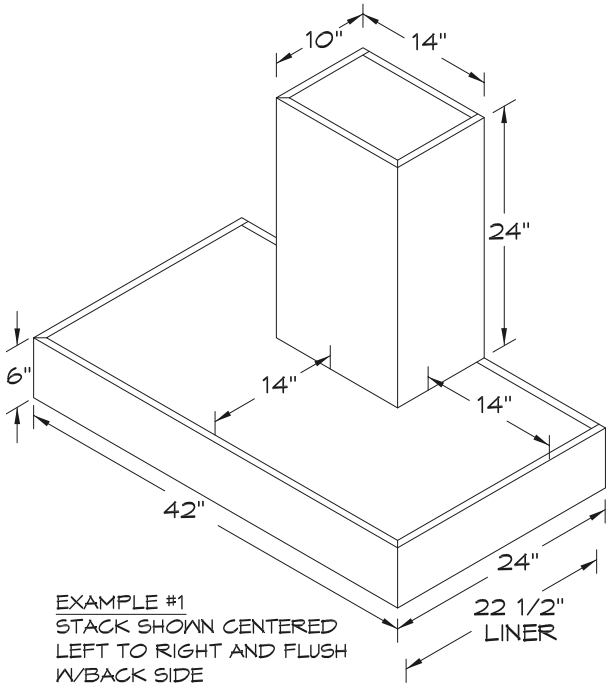
SPECIFY WIDTH AND HEIGHT
EXAMPLE: WHQ5142

AVAILABLE CORBELS:
BRC2, CBL-BR1, CBL-PN2, CBL-TB1,
CBL-NBR1

DECORATIVE HOOD Q COMES WITH TWO FINISHED SIDES, WAINSCOT OR DOORS (DEPENDING ON THE DOOR STYLE), AND MANTEL SHELF AS SHOWN. CORBEL SELECTION WILL AFFECT DIMENSIONS. CORBELS NOT INCLUDED - PLEASE SELECT FROM AVAILABLE OPTIONS.

8-38 wall cabinets and hoods

R series hoods



HOOD

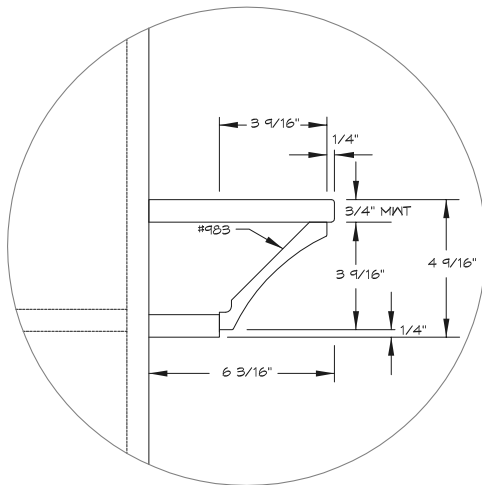
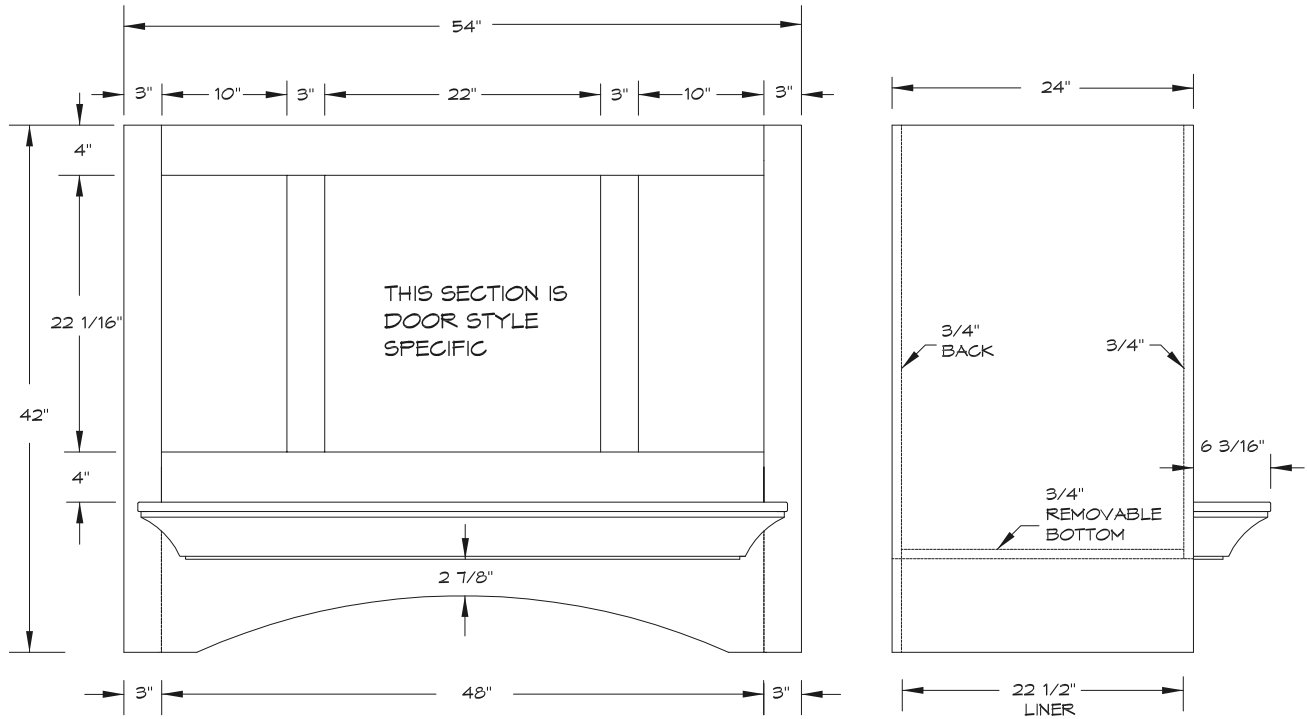
WHR__(WIDTH) x__(HEIGHT)

SPECIFY WIDTH AND HEIGHT

EXAMPLE: WHR4230

DECORATIVE HOOD R COMES WITH ALL FOUR SIDES FINISHED.

wall cabinets and hoods 8-39
S series hoods



HOOD

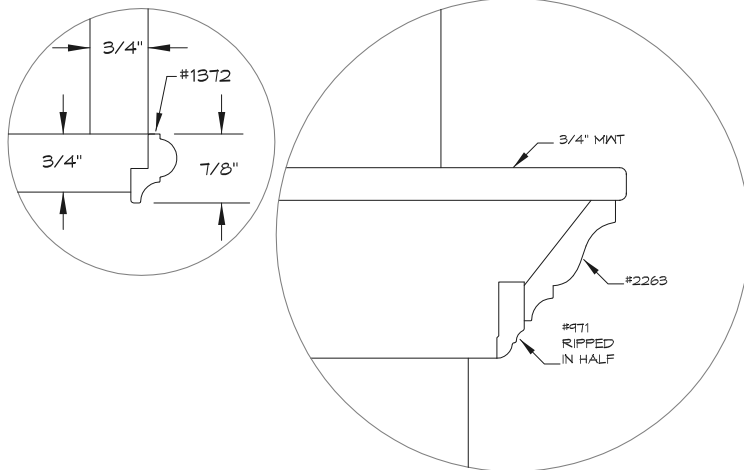
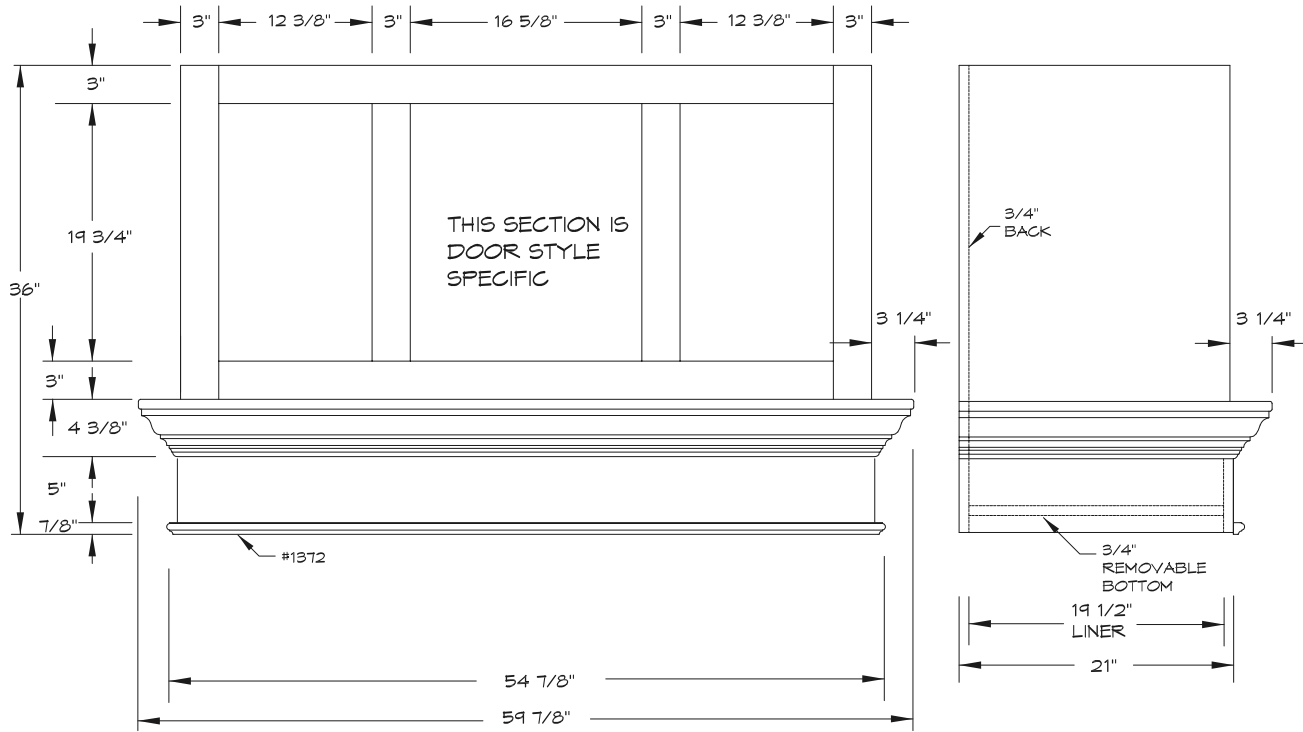
WHS__(WIDTH) x__(HEIGHT)

SPECIFY WIDTH AND HEIGHT

EXAMPLE: WHS5442

DECORATIVE HOOD S COMES WITH TWO FINISHED SIDES, WAINSCOT OR DOORS (DEPENDING ON THE DOOR STYLE), MANTEL AND ARCHED VALANCE AS SHOWN.

8-40 wall cabinets and hoods T series hoods



HOOD
WHT__(WIDTH) x__(HEIGHT)

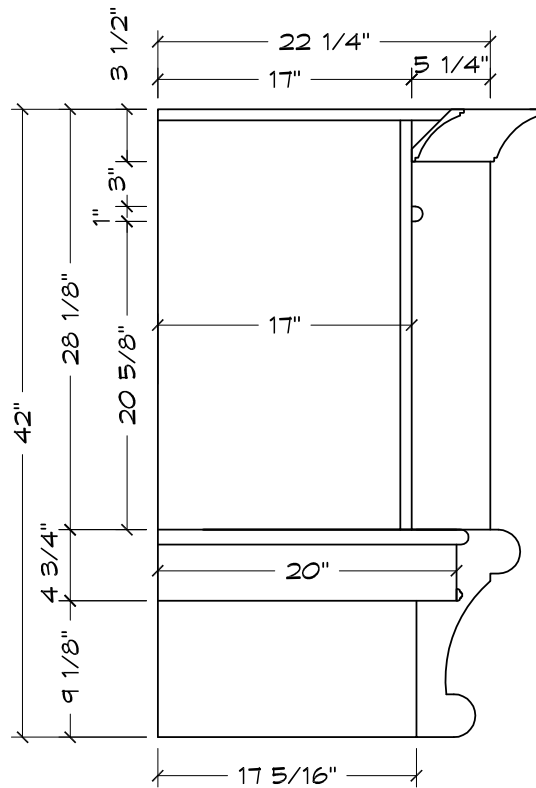
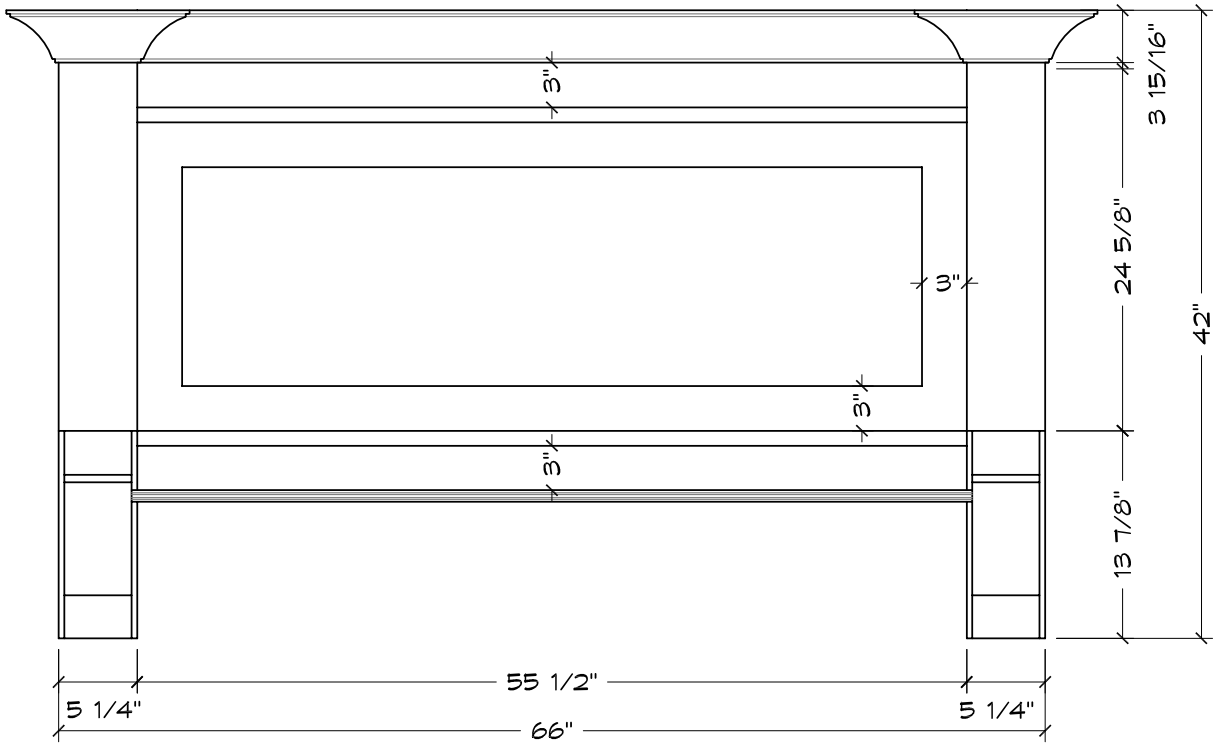
SPECIFY WIDTH AND HEIGHT
 EXAMPLE: WHT54 7/8 36 1/8

DECORATIVE HOOD T COMES WITH TWO FINISHED SIDES AND MOULDING.

wall cabinets and hoods 8-41
notes

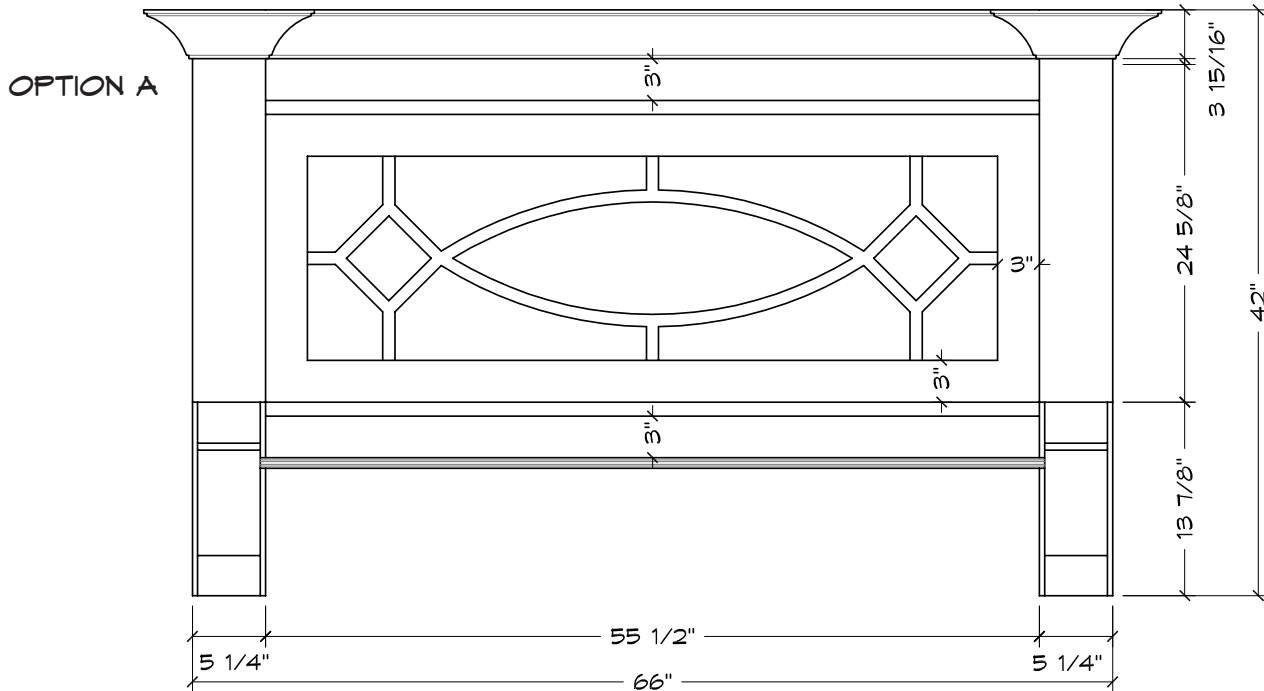
NOTES

8-42 wall cabinets and hoods
 U series hood

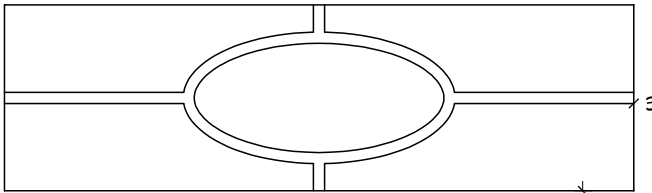


STANDARD

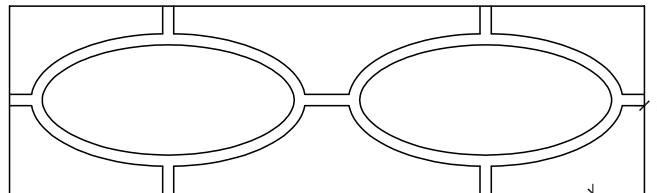
wall cabinets and hoods 8-43
U series hood



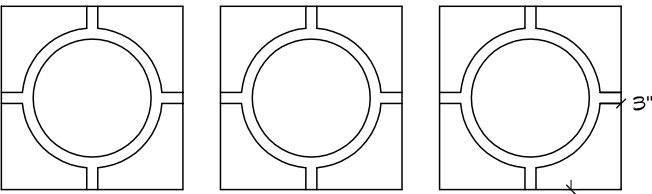
OPTION B



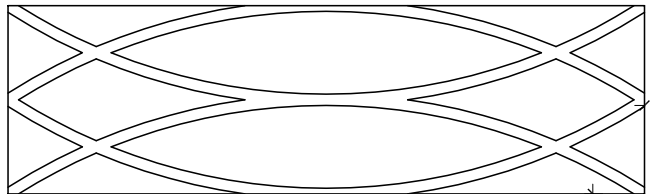
OPTION C



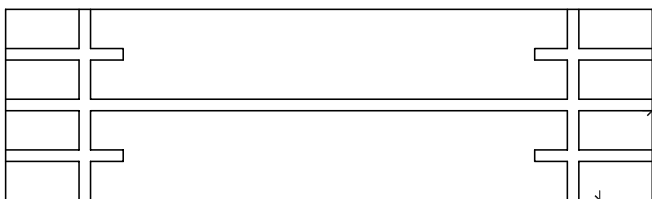
OPTION D



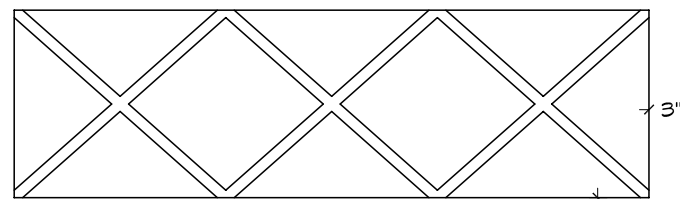
OPTION E



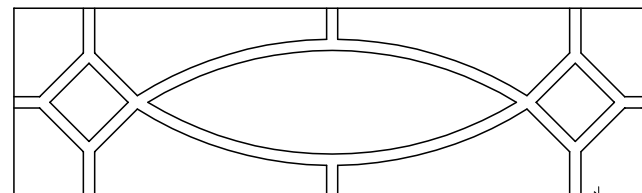
OPTION F



OPTION G



OPTION H



8-44 wall cabinets and hoods
notes

NOTES

wall cabinets and hoods 8-43 hood fans and liners

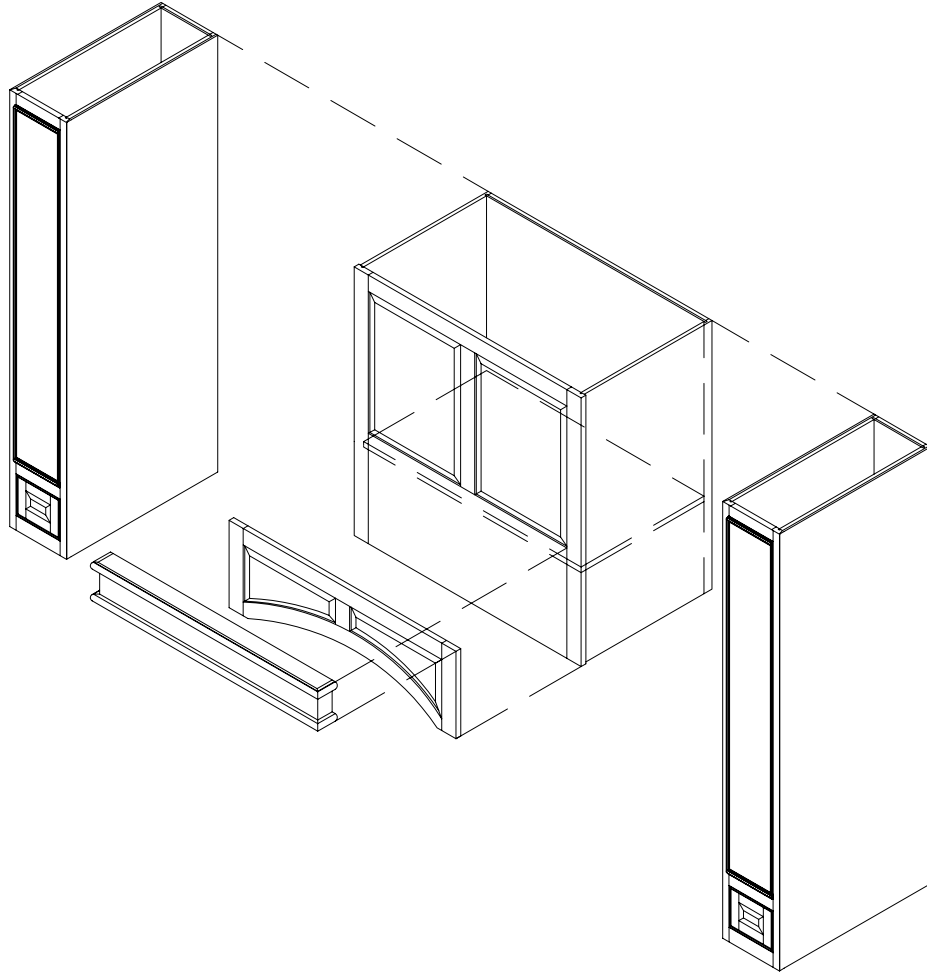
THERE ARE A VARIETY OF HIGH QUALITY VENTILATION OPTIONS ON THE MARKETPLACE AND EVERYONE HAS THEIR OWN PREFERENCES.

OUR HOODS ARE DESIGNED TO ACCOUNT FOR INDIVIDUAL TASTE. EACH HOOD HAS A REMOVABLE BOTTOM, WHICH ALLOWS YOU TO DESIGN THE CUT-OUT FOR THE LINER OF YOUR CHOICE.

THE ONLY LIMITATION IS THE OVERALL DIMENSION OF THE HOOD.



8-46 wall cabinets and hoods decorative hood components



THE FOLLOWING PAGES CONTAIN A VARIETY OF COMPONENTS THAT CAN BE ASSEMBLED ON THE JOB SITE TO CREATE A CUSTOM HOOD.

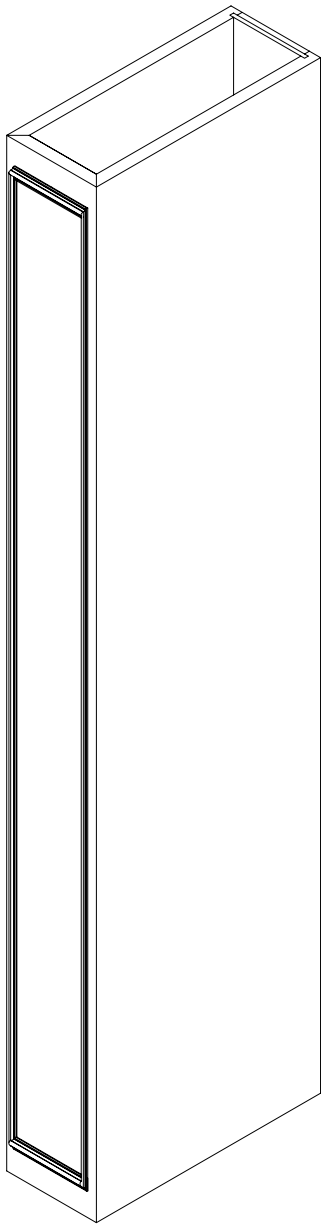
DESCRIPTIONS ARE ATTACHED TO EACH ITEM.

NOTE: INTERNAL ACCESSORIES, CORBELS, AND ONLAYS ARE PRICED IN ADDITION TO THE HOOD UNIT SELECTED.

FOR SIZES LARGER OR WIDER THAN THE COMPONENTS ALLOW, PLEASE SEND A DRAWING TO CUSTOMER SERVICE FOR A QUOTE.

wall cabinets and hoods 8-47

decorative hood components

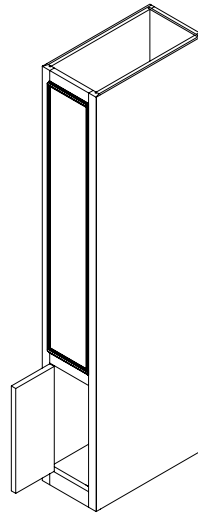


HOOD SIDE COLUMNS ARE 21" DEEP, HAVE FULL HEIGHT MOULDING DETAILS ON THE FACE AND TWO FLUSH FINISHED SIDES.

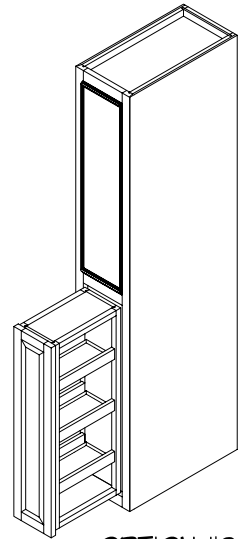
UNITS HAVE NO DOOR, SHELVES, OR FLOOR UNLESS ORDERED WITH AN OPTIONAL INSERT.

SIZES INDICATED READ W X H STANDARD DEPTH IS 21" UNLESS SPECIFIED.

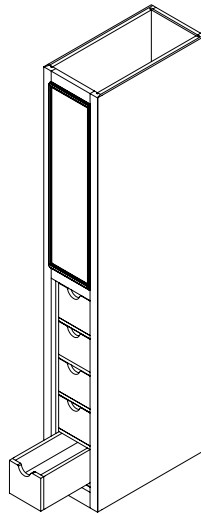
OPTIONAL INSERTS
25" TO 36" HIGH
SPECIFY HEIGHT OF
BOTTOM OPENING



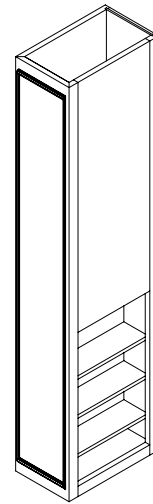
OPTION #1
SPECIFY
HINGE L OR R



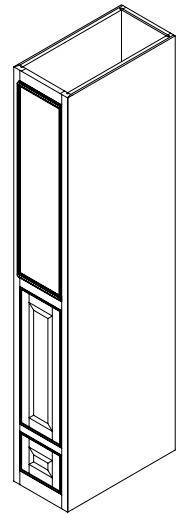
OPTION #2



OPTION #3
FRICTION
FIT DRAWERS



OPTION #4
SPECIFY
OPEN L OR R



OPTION #5
SPECIFY
HINGE L OR R

ABBREVIATION

HSC WIDTH X HEIGHT - OPTION

EXAMPLE:

HSC 9 X 48 - OPTION 1

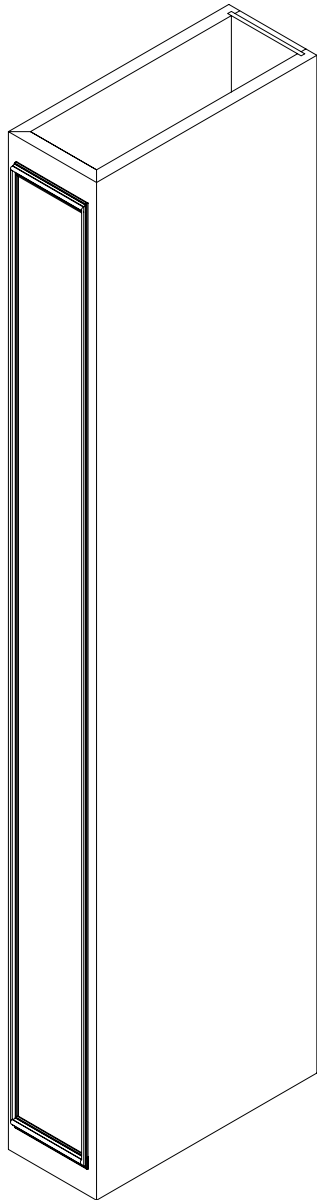
AVAILABLE WIDTHS:

9, 12, 15"

AVAILABLE HEIGHTS:

48, 60, 72"

8-48 wall cabinets and hoods decorative hood components



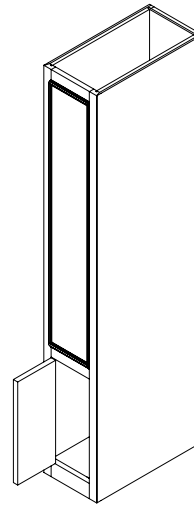
HOOD SIDE COLUMNS ARE 21" DEEP, HAVE FULL HEIGHT MOULDING DETAILS ON THE FACE AND TWO FLUSH FINISHED SIDES.

UNITS HAVE NO DOOR, SHELVES, OR FLOOR UNLESS ORDERED WITH AN OPTIONAL INSERT.

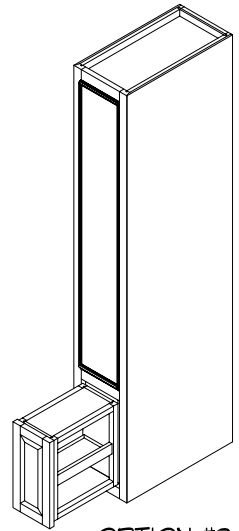
SIZES INDICATED READ W X H STANDARD DEPTH IS 21" UNLESS SPECIFIED.

OPTIONAL INSERTS
17" TO 24" HIGH

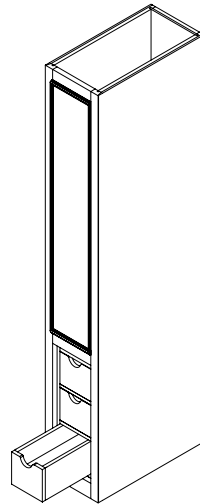
SPECIFY HEIGHT OF
BOTTOM OPENING



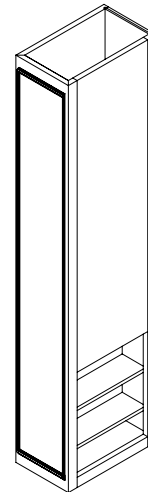
OPTION #1
SPECIFY
HINGE L OR R



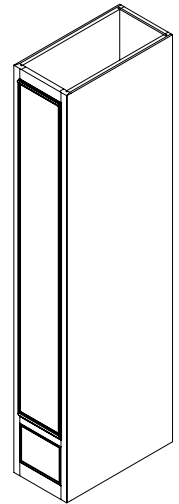
OPTION #2



OPTION #3
FRICTION
FIT DRAWERS



OPTION #4
SPECIFY
OPEN L OR R



OPTION #5
SPECIFY
HINGE L OR R

ABBREVIATION

HSC WIDTH X HEIGHT - OPTION

EXAMPLE:

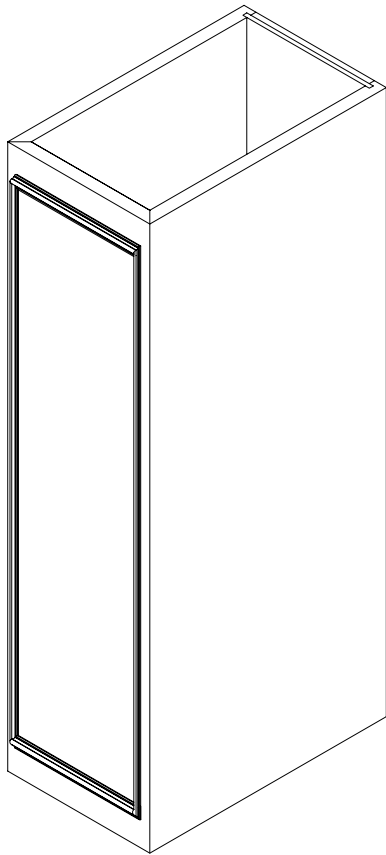
HSC 9 X 48 - OPTION 1

AVAILABLE WIDTHS:

9, 12, 15"

AVAILABLE HEIGHTS:

48, 60, 72"



LOWER UNITS
CAN BE PURCHASED
SEPARATELY. PLEASE
SEE NEXT PAGE.

BOTH UPPER AND
LOWER UNITS ARE
SHIPPED LOOSE.

HOOD UPPER UNIT IS 21" DEEP

IT IS RECOMMENDED THAT A
WOOD TOP FINISHED RIGHT
AND LEFT BE ORDERED TO
TRIM THE BOTTOM OF THIS
UNIT.

SHORT UPPER UNITS HAVE
FULL HEIGHT MOULDING
DETAIL ON THE FACE AND TWO
FLUSHED FINISHED SIDES.

SHORT UPPER UNITS HAVE AN
UNFINISHED BOTTOM.

UPPER UNITS HAVE NO DOOR
OR SHELVES.

SIZES INDICATED READ W X H

ABBREVIATION

HUU WIDTH X HEIGHT

EXAMPLE:

HUU 9 X 36

AVAILABLE WIDTHS:

9, 12, 15"

AVAILABLE HEIGHTS:

36, 42, 48"

8-50 wall cabinets and hoods decorative hood components

LOWER UNITS ARE 16"
DEEP UNLESS SPECIFIED

WIDE TOP RAIL WILL
ACCOMMODATE A CORBEL
UP TO 7" HIGH

LOWER UNITS ON THIS PAGE
ARE PURCHASED SEPARATELY.

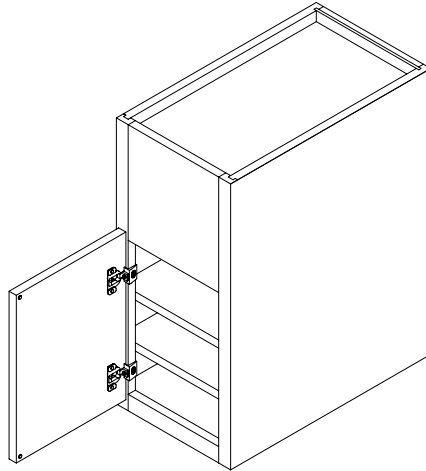
BOTH UPPER AND LOWER UNITS
ARE SHIPPED LOOSE.

ABBREVIATION

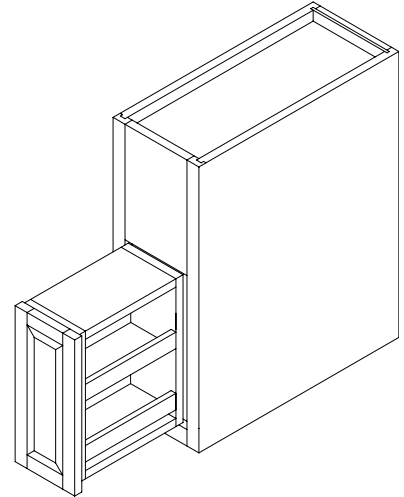
HLU WIDTH X HEIGHT - OPTION
EXAMPLE:
HLU 9 X 30 - OPTION 1

AVAILABLE WIDTHS:
9, 12, 15"

AVAILABLE HEIGHTS:
30"

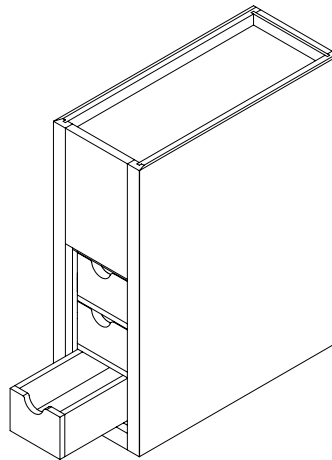


OPTION #1
DOOR ONLY

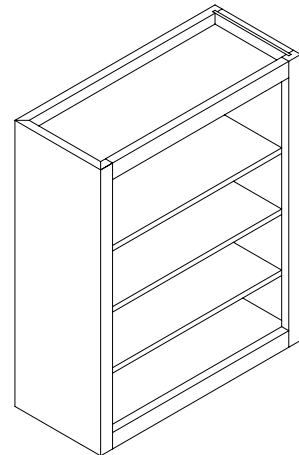


OPTION #2
SPICE PULL OUT

SPECIFY HINGE L OR R



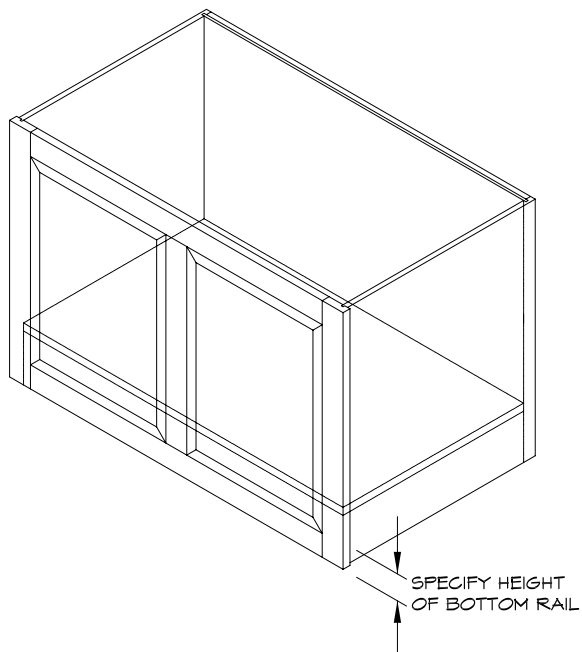
OPTION #3
THREE FRICTION
FIT DRAWERS



OPTION #4
OPEN SIDE WITH
ADJUSTABLE
SHELVES

SPECIFY
OPEN L OR R

wall cabinets and hoods 8-51 decorative hood components

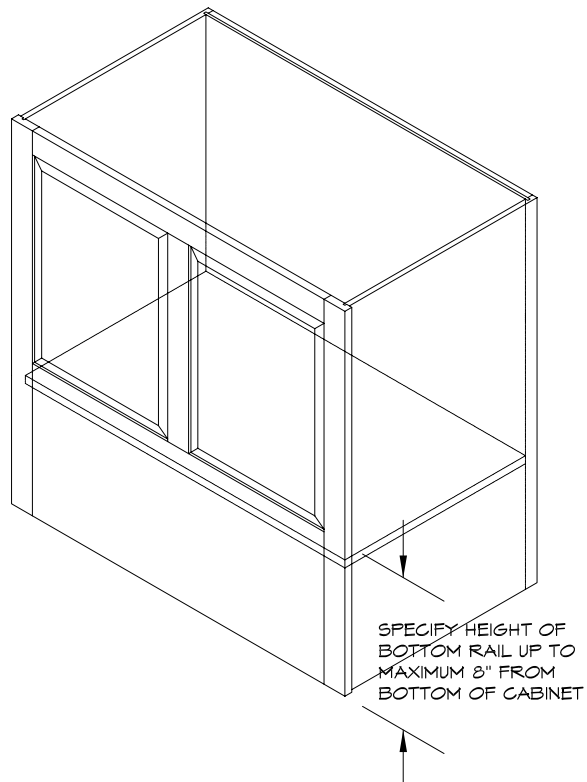


NO FINISHED ENDS ARE INCLUDED ON WAINSCOT HOOD CABINET.

BOTTOM RAIL CAN BE MODIFIED TO ACCOMMODATE MANTEL OR COBELS.

WAINSCOT STYLE WILL MATCH DOOR STYLE OF KITCHEN WHENEVER POSSIBLE.

SIZES INDICATED READ W X H
STANDARD DEPTH IS 21" UNLESS SPECIFIED.



ABBREVIATION

HWC 36 X 24
HWC 36 X 30
HWC 36 X 36
HWC 48 X 18
HWC 48 X 24
HWC 48 X 30
HWC 48 X 36
HWC 48 X 42
HWC 60 X 18
HWC 60 X 24
HWC 60 X 30
HWC 60 X 36
HWC 60 X 42
HWC 72 X 18
HWC 72 X 24
HWC 72 X 30
HWC 72 X 36
HWC 72 X 42

8-52 wall cabinets and hoods decorative hood components

FLUSH FINISHED ENDS ARE INCLUDED ON HOOD MANTEL BOX CABINET.

SIZES INDICATED READ W X H

STANDARD DEPTH IS 21"

STANDARD HEIGHTS ARE 12", 18", 24"

ABBREVIATION

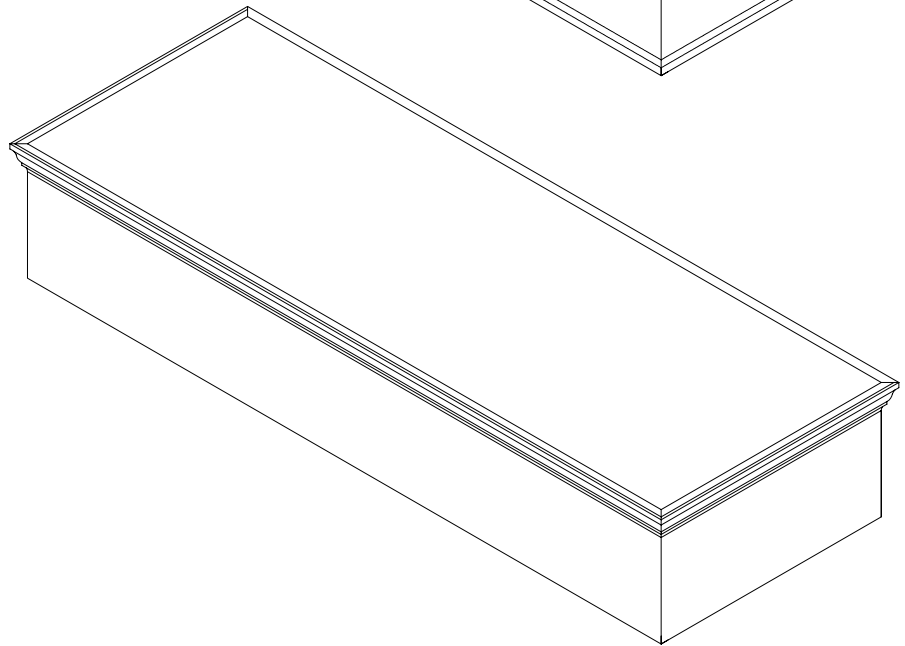
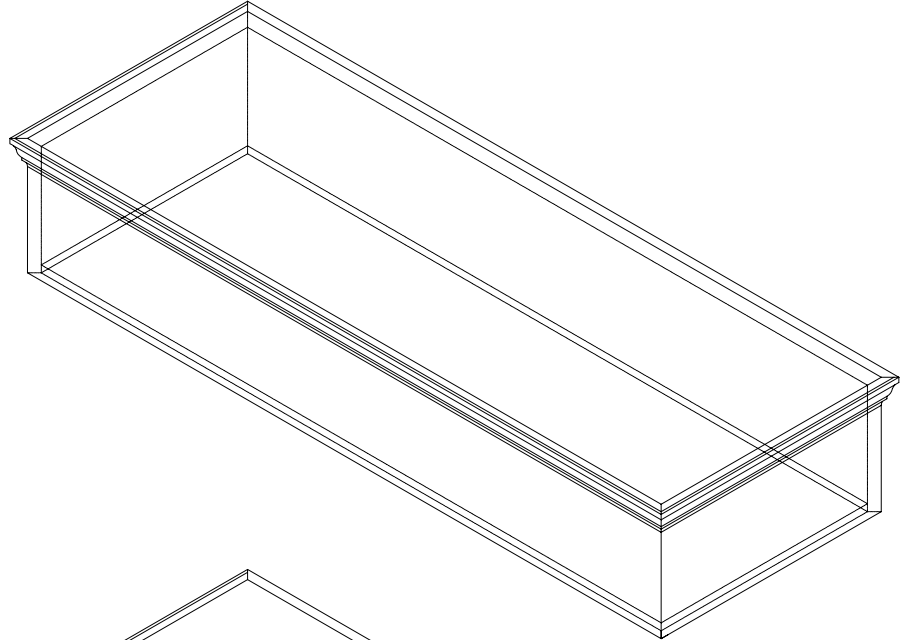
HHMB WIDTH

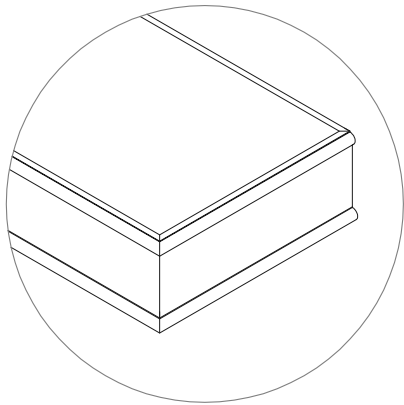
EXAMPLE:

HHMB 36

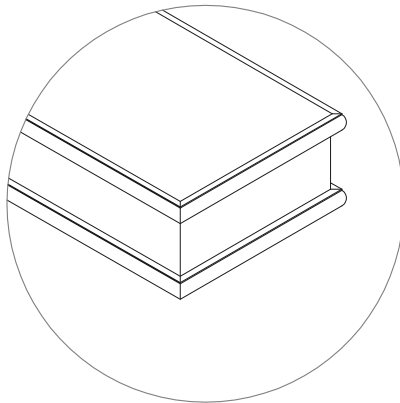
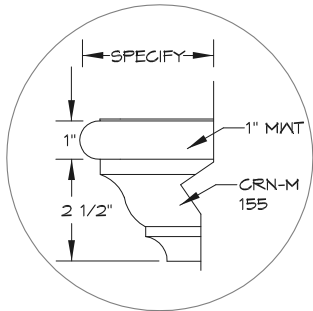
AVAILABLE WIDTHS:

36, 48, 60"

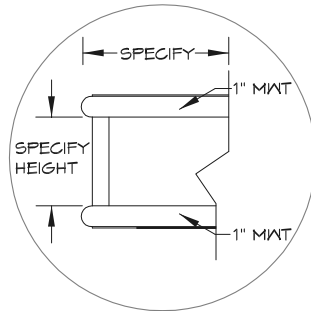




STYLE MSA



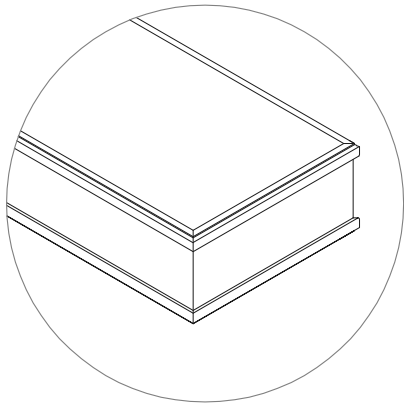
STYLE MSB



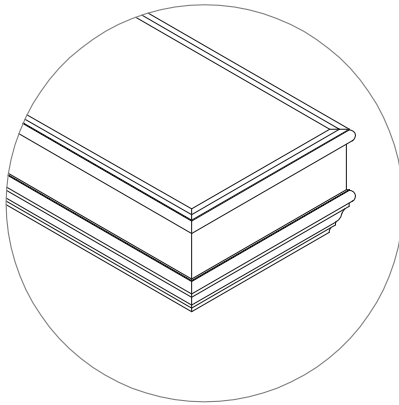
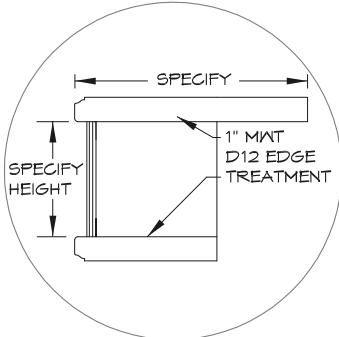
MANTEL SHELVES

ABBREVIATION
MTL STYLE X WIDTH
EXAMPLE:
MTL MSC X 36

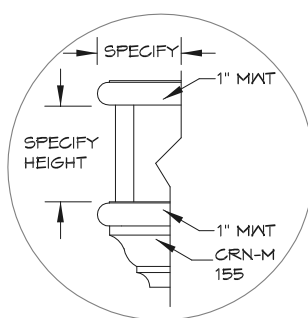
AVAILABLE WIDTHS:
36, 48, 60, 72"



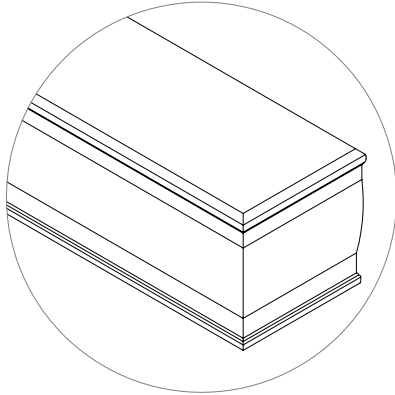
STYLE MSC



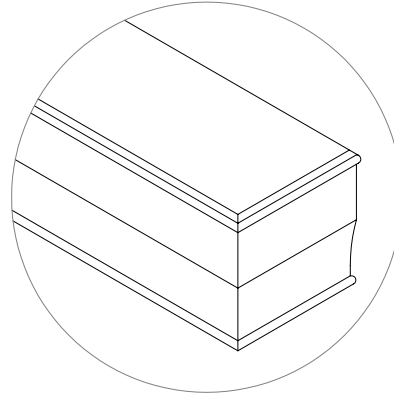
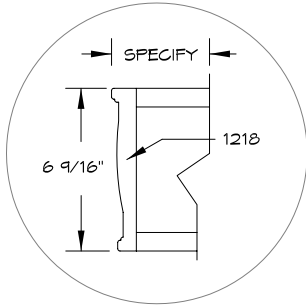
STYLE MSD



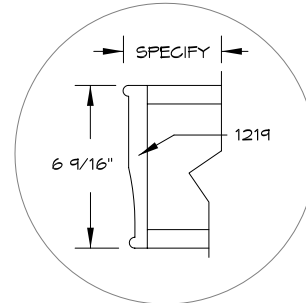
8-54 wall cabinets and hoods decorative hood components



STYLE MSQ



STYLE MSR



MANTEL SHELVES

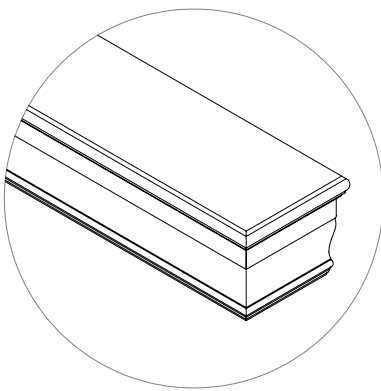
ABBREVIATION

MTL STYLE X WIDTH

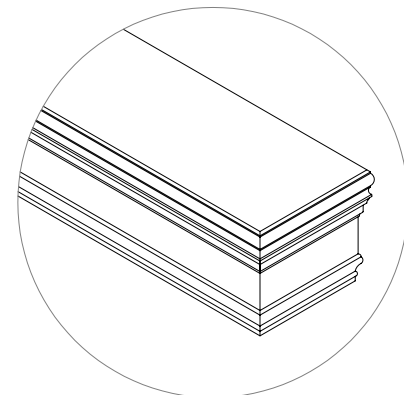
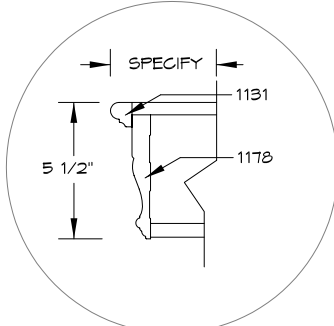
EXAMPLE:

MTL MST X 36

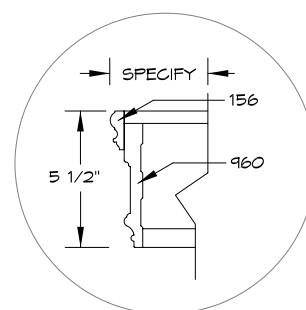
AVAILABLE WIDTHS:
36, 48, 60, 72"



STYLE MSS



STYLE MST



HOOD WAINSCOT PANELS

PLEASE SPECIFY STYLE A,
B, OR C WHEN ORDERING
HOOD WAINSCOT PANELS.

MINIMUM WIDTH AND HEIGHT
OF A DOOR STYLE MAY LIMIT
WHICH STYLE WAINSCOT MAY
BE USED.

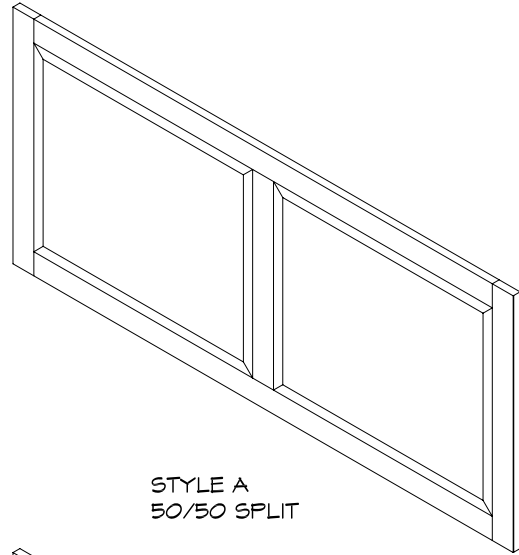
MITERED CORNER DOOR
STYLES CANNOT BE BUILT AS
WAINSCOT; ORDER FACE
FRAME AND DOORS.

ABBREVIATION

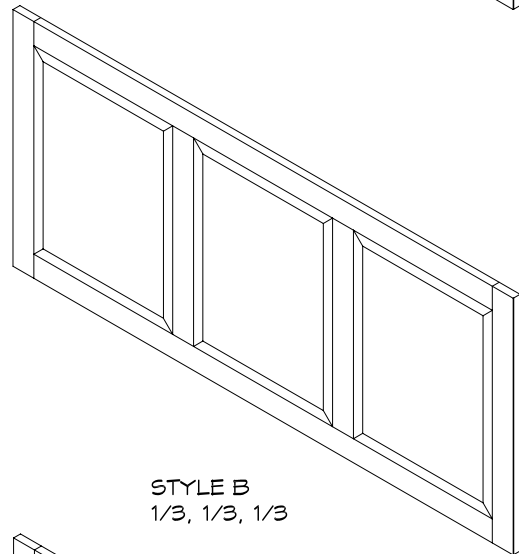
HWP W X H - STYLE

EXAMPLE:

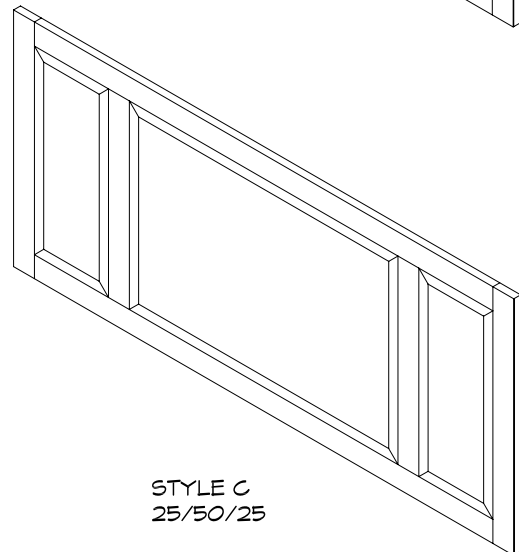
HWP 48 X 24-B



STYLE A
50/50 SPLIT



STYLE B
1/3, 1/3, 1/3



STYLE C
25/50/25

8-56 wall cabinets and hoods decorative hood components

ARCHED VALANCE STYLES

ARCHED VALANCES WILL
MATCH KITCHEN DOOR
STYLE IF POSSIBLE.

IF NOT POSSIBLE, PLEASE
REFER TO THE YOU-DESIGN-IT,
WE-BUILD-IT SERIES DOORS TO
SELECT THE DESIRED MATCH.

ABBREVIATION
STYLE WIDTH

STYLES AVAILABLE:
HARD
HARV
HARK

WIDTHS AVAILABLE:
36, 42, 48, 54, 60"

EXAMPLE:
HARV60

